

# Patents, Designs, and Trade Marks

## SUPPLEMENT

TO THE

# NEW ZEALAND GAZETTE

OF

THURSDAY, JUNE 13, 1912.

Published by Authority.

WELLINGTON, THURSDAY, JUNE 13, 1912.

### CONTENTS.

	Page
International and Intercolonial Arrangements for the Mutual Protection of Patents and Trade Marks ..	1949
Notice of Holiday .. .. .	1950
Patent Office Notices .. .. .	1950
Patent Office Agent appointed .. .. .	1950
Specifications open to Public Inspection before Acceptance .. .. .	1950
Orders in Council—	
Regulations relating to Patents .. .. .	1950
Regulations relating to Designs .. .. .	1962
Regulations relating to Trade Marks .. .. .	1969
Applications for Letters Patent filed .. .. .	1981
Complete Specifications filed after Provisionals .. .. .	1982
Complete Specifications accepted .. .. .	1982
Provisional Specifications accepted .. .. .	1987
Letters Patent sealed .. .. .	1987
Letters Patent on which Fees have been paid .. .. .	1987
Subsequent Proprietors of Letters Patent registered .. .. .	1987
Request for Correction of Clerical Error in Application for Letters Patent .. .. .	1987
Applications for Letters Patent abandoned .. .. .	1988
Applications for Letters Patent void .. .. .	1988
Applications for Letters Patent lapsed .. .. .	1988
Letters Patent void .. .. .	1988
Design registered .. .. .	1988
Subsequent Proprietor of Design registered .. .. .	1988
Applications for Trade Marks filed .. .. .	1988
Applications for Registration of Trade Marks .. .. .	1989
Trade Mark Registration cancelled .. .. .	1991
Trade Marks registered .. .. .	1991
Subsequent Proprietors of Trade Marks registered .. .. .	1991
Trade Mark Renewal Fees paid .. .. .	1992
Trade Marks removed from the Register .. .. .	1992
Application for Trade Mark withdrawn .. .. .	1992
Applications for Trade Marks abandoned or refused .. .. .	1992

### Patents, Designs, and Trade Marks Act, 1911.

**P**AMPHLET compiled for foreign distribution with reference to new Act, and containing brief notes on New Zealand and its industries, particulars of flax bonus, extracts from tariff, &c., may be had free on application.

### International and Intercolonial Arrangements for the Mutual Protection of Patents and Trade Marks.

#### INTERNATIONAL CONVENTION.

**T**HE following countries now belong to the Convention:—

Australia.	Hungary with Bosnia and Herzegovina.
Austria.	Italy.
Belgium.	Japan.
Brazil.	Mexico.
Ceylon.	New Zealand.
Cuba.	Norway.
Denmark and Faroe Islands.	Portugal, with the Azores and Madeira.
Dominican Republic.	Servia.
France, with Algeria and colonies.	Spain.
Germany.	Sweden.
Great Britain.	Switzerland.
Holland, with East Indian colonies, Curaçoa, and Surinam.*	Trinidad and Tobago.
	Tunis.
	United States of America.

\* Trade marks only.

Separate arrangements have been made between Australia and New Zealand.

Particulars of the Convention and of such arrangements may be seen in the following *Gazettes* :—

Notification of adhesion of New Zealand to the Convention, with text thereof (in English), in the *Gazette* of 26th November, 1891; notification of adherence of New Zealand to the Additional Act of the Convention, in *Patents Supplement to Gazette*, No. 101, of the 16th November, 1905; Order in Council applying section 108 of the Imperial Act to New Zealand, in *Gazette* No. 27, of the 15th May, 1890; Orders in Council containing arrangements between Australia and New Zealand, in *Patent Supplements to the Gazette*, Nos. 22, of the 9th March, 1905, and 38, of the 20th April, 1905.

#### Arbor Day.

Department of Internal Affairs,  
Wellington, 25th May, 1912.

WEDNESDAY, the 17th day of July next, will be observed as a public holiday in the Government offices throughout the Dominion for the celebration of Arbor Day.

In order that the movement may be made as successful as possible, the Government hopes that the Mayors of various municipalities and Chairmen of local bodies will place the matter prominently before the people of the Dominion, and do all they can to encourage the planting of public reserves and other available lands, both public and private, with trees suited to the locality.

G. W. RUSSELL,  
Minister of Internal Affairs.

#### Patent Office Notices.

THE Special Supplement to the *New Zealand Gazette* for notices concerning Patents and Trade-marks will be discontinued, and all such notices after the 1st July next will appear in a publication entitled the "Patent Office Journal," obtainable from the GOVERNMENT PRINTER, WELLINGTON, on payment of 6d. a copy (posted 6½d.), or an annual subscription of 10s. 6d. (including postage).

#### Patent Office Agent appointed.

Department of Justice,  
Wellington, 12th June, 1912.

HIS Excellency the Governor has been pleased to appoint

WILLIAM WALTERS SAMSON

to be Patent Office Agent at Christchurch, as from the 4th June, 1912.

J. A. HANAN.

#### Specification open to Public Inspection before Acceptance.

(In accordance with the arrangements made between Australia and New Zealand.)

[The specification may be inspected at the Patent Office, Wellington, on payment of a search fee of 1s. per hour.]

(NOTE.—The date given is the prior date applied for.)

N O. 31321.—8th June, 1911.—B. J. Egan, vehicle-body, cycle-saddle, &c., suspension-device.

Regulations under the Patents, Designs, and Trade-marks Act, 1911, relating to Patents.

ISLINGTON, Governor.

#### ORDER IN COUNCIL.

At the Government Buildings, at Wellington, this fifth day of June, 1912.

Present :

THE HONOURABLE GEO. LAURENSEN PRESIDING IN COUNCIL.

IN pursuance and exercise of the power and authority conferred upon him by the Patents, Designs, and Trade-marks Act, 1911 (hereinafter in these regulations referred to as "the said Act"), His Excellency the Governor of the Dominion of New Zealand, acting by and with the advice and consent of the Executive Council of the said Dominion, doth hereby make the following regulations for the purposes of the said Act, in so far as it relates to patents; and doth hereby declare that the said regulations shall come into force on the first day of July, one thousand nine hundred and twelve.

#### REGULATIONS.

##### INTERPRETATION.

##### 1. In these regulations—

"United Kingdom" includes the Isle of Man :

"Foreign application" means an application by any person for protection of his invention in the United Kingdom, or in any foreign State to which section 91 of the Imperial Patents and Designs Act, 1907, is for the time being applicable, or in any country (whether a foreign State or a British possession) to which section 129 of the Patents, Designs, and Trade-marks Act, 1911, is for the time being applicable :

"Convention application" means an application in New Zealand under section 129 of the said Act :

"Agent" means an agent duly authorized to the satisfaction of the Registrar :

"Office" means the Patent Office :

"Journal" means the Patent Office Journal.

##### FEES.

2. The fees to be paid under the said Act, so far as it relates to patents, shall be those specified in the list of fees in the First Schedule to these regulations: Provided that the fees payable on the filing of complete specifications in respect of, or on the sealing or renewal of, patents for which application has been made before the commencement of these regulations shall be determined in accordance with the scale of fees in force at the date of such application, and not in accordance with the scale set forth in the said First Schedule.

All fees must be paid in advance, in stamps, which must be affixed uncanceled or undefaced in any way to the documents (if any) in respect of which the fees are payable. The Registrar may give notice of any fee becoming due, but no liability shall be incurred by him if he fails to do so, or if for any reason the notice, if given, is incorrect in any particular or fails to reach the agent, the applicant, or the patentee. A certificate

of the payment of any renewal fee shall be issued by the Registrar, and a receipt thereof be indorsed on the letters patent on the latter being produced for the purpose.

#### FORMS.

3. The forms herein referred to, or forms to the like effect, shall be used in all cases to which they are applicable, and shall be modified as directed by the Registrar to meet other cases.

#### DOCUMENTS.

4. All documents and copies of documents, except drawings, sent to or left at the Office or a local Patent Office shall be written, type-written, lithographed, or printed in the English language (unless otherwise directed) in legible characters with deep permanent ink upon strong white paper on one side only, of a size of approximately 13 inches by 8 inches, leaving a margin of at least  $1\frac{1}{2}$  inches on the left-hand part thereof. Duplicate documents shall at any time be left, if required by the Registrar.

At the top of the first page of a specification a space of about 2 inches should be left blank.

5. Any application, notice, or other document authorized or required to be left, made, or given at the Office, or to the Registrar, or to any other person under the said Act or these regulations, may be sent by a prepaid letter through the post, and if so sent shall be deemed to have been left, made, or given at the time when the letter containing the same would be delivered in the ordinary course of post. In proving such sending or service it shall be sufficient to prove that the letter was properly addressed and put into the post.

6. Every applicant for and opponent to the grant of a patent, or the restoration of a lapsed patent, or the amendment of a specification, and every person who shall hereafter become a patentee, shall give an address for service, and such address shall, if required, be in New Zealand, and may be treated, for all purposes connected with the patent, as the actual address of such applicant, opponent, or patentee.

#### AGENCY.

7. With the exception of the signing of the following documents—namely, applications for patents or the restoration of lapsed patents, requests for leave to amend applications, specifications, or letters patent, authorizations of agents, requests for issue of duplicate letters patent, and surrenders of letters patent—all communications to the Registrar relating to patents may be signed by and all attendances upon the Registrar may be made by or through an agent duly authorized to the satisfaction of the Registrar, and not being disentitled to recognition on any of the grounds mentioned in the said Act or regulations for the time being in force thereunder relating to the registration of Patent Agents.

#### APPLICATIONS FOR THE GRANT OF PATENTS.

8. An application for a patent, other than a patent of addition, shall be made on one of the forms Nos. 1, 1A, or 1B in the Second Schedule hereto, as the case may be. An application for a patent of addition shall be made on the form No. 1c in the said Schedule. Application by a body corporate may be made on its behalf by a director, or by its secretary or other principal

officer, and in such case the forms shall be modified to suit the circumstances of the case.

9. In the case of an application for a patent by the legal representative of a person who has died possessed of an invention, the probate of his will, or the letters of administration granted of his estate and effects, or an official copy of such probate or letters, shall be produced at the Office in proof of the applicant's title as such legal representative, and be supported by such further evidence as the Registrar may require.

10. (1.) Applications for patents shall, as far as may be practicable, be numbered in the order of their receipt at the Office or local Patent Office.

(2.) The receipt to be given by a local Patent Officer to an applicant for a patent or to his agent, in pursuance of subsection (5) of section 3 of the said Act, shall be in the form No. 21 in the Second Schedule hereto.

11. (1.) When a specification comprises several distinct matters they shall not be deemed to constitute one invention by reason only that they are all applicable to or may form parts of an existing machine, apparatus, or process.

Where a person making application for a patent has included in his specification more than one invention, the Registrar may require or allow him to amend such application and his specification and drawings, or any of them, so as to apply to one invention only, and the applicant may make application for a separate patent for any invention excluded by such amendment.

Every such last-mentioned application may, if the Registrar at any time so directs, bear the date of the original application, or such date between the date of the original application and the date of the application in question, as the Registrar may direct, and shall otherwise be proceeded with as a substantive application in the manner prescribed by the said Act and by these regulations.

Where the Registrar has required or allowed any application or specification or drawings, or any of them, to be amended as aforesaid, such application shall, if the Registrar at any time so directs, bear such date, subsequent to the original date of the application, and not later than the date when the amendment was made, as the Registrar shall consider reasonably necessary to give sufficient time for the subsequent procedure relating to such application.

(2.) Where the same applicant has put in two or more provisional specifications for inventions which he believes to be cognate or modifications one of the other, and the Registrar is of opinion that such inventions are not cognate or modifications one of the other, the applicant may divide the complete specifications left in connection with his application into such number of complete specifications as may be necessary to enable the application to be proceeded with as two or more separate applications for patents for different inventions.

12. The Registrar may allow an application for a patent or a complete specification, although not in accordance with the said Act and these regulations, to be left on such terms and conditions as he thinks fit; and in any such case shall require the applicant to comply with the requirements of these regulations within a time to be specified by him in that behalf. No further action need be taken by the Registrar in respect of that application until the prescribed requirements are complied with.

## CONVENTION APPLICATIONS.

13. Every Convention application shall contain a declaration that foreign application has been made for protection of the invention to which such Convention application relates, and shall specify the country or countries in which such foreign applications have been made, and the official date or dates of those applications respectively. The application must be made within twelve months from the date of the first foreign application, and must be accompanied by a complete specification, and signed by the person or persons by whom such first foreign application was made. If such person or any of such persons is dead, the application must be signed by the legal representative of such dead person, as well as by the other applicants, if any.

14. In addition to the specification left with every Convention application, a copy or copies of the specification or specifications and drawings or documents filed or deposited by the applicant in respect of the first foreign application, duly certified by the official chief or head of the Patent Office of the country in which such first foreign application was made, or otherwise verified to the satisfaction of the Registrar, must be left at the Office at the same time as the application, or within such further time thereafter as the Registrar may allow. If any specification or other document relating to the application is in a foreign language, a translation thereof shall be annexed thereto and verified by statutory declaration or otherwise to the satisfaction of the Registrar.

There shall be indorsed on every patent granted in pursuance of a convention application a statement as to the date of the first foreign application in respect of the invention, and the name of the country in which that application was made.

15. Save as aforesaid and as provided by Regulation 53 hereof, all proceedings in connection with a Convention application shall be taken within the times and in the manner prescribed by the said Act or these regulations for ordinary applications.

## DRAWINGS.

16. Drawings, when furnished, should accompany the provisional or complete specification to which they refer, except in the case provided for by Regulation 21 hereof. No drawing or sketch such as would require the preparation for the printer of a special illustration for use in the letterpress of the specification when printed should appear in the specification itself.

17. Drawings may be made by hand, or lithographed, printed, &c. They must be made on pure-white hot-pressed rolled or calendered strong paper of smooth surface, good quality and medium thickness, and measuring 13 inches in length by either 8 inches or 16 inches in width. They must be made without washes or colours, in such a way as to admit of being clearly reproduced on a reduced scale by photography. Mounted drawings must not be used.

18. Drawings must be prepared in accordance with the following requirements:—

- (a.) They must be executed with absolutely black ink. Only indian ink of the best quality should be used.
- (b.) Each line must be firmly and evenly drawn, sharply defined, and of the same strength throughout.
- (c.) Section-lines, lines for effect, and shading-lines should be as few as possible, and must not be closely drawn.

(d.) Shading-lines must not contrast too much in thickness with the general lines of the drawing.

(e.) Sections and shading should not be represented by solid black or washes.

(f.) They should be on a scale sufficiently large to show the invention clearly, and only so much of the apparatus, machine, &c., should appear as effects this purpose. If the scale is given, it should be drawn, and not denoted by words.

Reference letters and figures, and index numerals used in conjunction therewith, must be bold and distinct, and not less than  $\frac{1}{8}$  inch in height. The same letters should be used in different views of the same parts. Where the reference letters are shown outside the figure they must be connected with the parts referred to by fine lines.

19. A fac-simile or "true copy" of the drawings on tracing-cloth, but otherwise in accordance with the foregoing regulations, should be filed at the same time as the original drawings.

20. Drawings must be signed by the applicant or his agent in the right-hand bottom corner. Neither the title of the invention nor any descriptive matter should appear on the drawings, and they should be delivered at the Office free from folds, breaks, or creases.

21. If an applicant desires to adopt the drawings lodged with his provisional specification as the drawings or part of the drawings for his complete specification, he should refer to them in the complete specification as those left with the provisional specification.

## CHEMICAL SAMPLES AND SPECIMENS. MODELS.

22. Where samples of ingredients are required by the Registrar, they must be contained in glass bottles properly secured; but dangerous or explosive substances must not be sent. Models, which may be lodged from a time to be notified in the Journal, must be neat and workmanlike, and of a size not exceeding 12 inches on the longest side, unless otherwise allowed. Models and bottles furnished in pursuance of this regulation must bear the name of the inventor, the title of the invention, and the date of the application, and be furnished to the Office free of charge and in good order.

## SPECIFICATIONS.

23. (1.) Provisional specifications shall be in the form No. 2 in the Second Schedule hereto, and complete specifications shall be in the form No. 3 in the said Schedule.

(2.) Applications for an extension of time for leaving a complete specification, or for the acceptance of a complete specification, shall be in the form No. 4 in the Second Schedule hereto.

24. On the acceptance of a provisional or complete specification the Registrar shall give notice thereof to the applicant, and shall advertise the acceptance of every complete specification in the Journal.

25. Upon such acceptance in the case of a complete specification the application and specification or specifications, with the drawings (if any), may be inspected at the Office upon payment of the prescribed fee.

## OPPOSITION TO GRANTS OF PATENTS.

26. A notice of opposition to the grant of a patent shall be given in the form No. 5 in the Second Schedule hereto, and shall state the ground

or grounds on which the person giving such notice (herein called "the opponent") intends to oppose the grant. Such notice shall be accompanied by an unstamped copy thereof, which shall be transmitted by the Registrar to the applicant.

Where the person giving notice of an opposition does not desire that the patent should be refused, but merely that the specification should be amended by disclaimer or limitation, the notice of opposition should be accompanied or supplemented as soon as may be by a written statement to that effect, indicating so far as can conveniently be done the general nature of the amendments desired, and the portions of the earlier specifications (if any) relied upon as necessitating such amendments.

27. (1.) Where the ground of opposition is that the applicant has obtained the invention from the opponent, or from a person of whom the opponent is the legal representative, the opposition shall be deemed to be abandoned unless evidence in support of the allegation is left at the Office within fourteen days after the expiration of two months from the date of the advertisement of the acceptance of the applicant's complete specification.

(2.) Where the ground of the opposition is that the nature of the invention or the manner in which it is to be performed is not sufficiently or fairly described and ascertained in the complete specification, the notice of opposition should be accompanied by a written statement indicating, so far as can conveniently be done, in what respects the invention is alleged to be insufficiently or unfairly described or ascertained.

(3.) Where the ground of opposition is that the invention claimed is not new, or is for any other reason not a proper subject-matter for a patent, the notice of opposition should indicate as far as can conveniently be done the prior publication or user of the invention, or other reason why the invention is not a proper subject-matter for a patent.

(4.) Where the ground of opposition is that the invention has been claimed in any complete specification for a New Zealand patent which is or will be of prior date to the patent the grant of which is opposed, the number of such complete specifications should be given.

(5.) Where the ground of opposition is that the complete specification describes or claims an invention other than that described in the provisional specification, and that such other invention forms the subject of an application made by the opponent in the interval between the leaving of the provisional specification and the leaving of the complete specification, the number of the opponent's application should be given.

28. Except in the case provided for in the first paragraph of the last preceding regulation, statutory declarations need not be left in connection with an opposition, but the opponent may, within fourteen days after the expiration of two months from the date of the advertisement of the acceptance of the applicant's complete specification, leave at the Office statutory declarations in support of his opposition, and on so leaving shall deliver to the applicant copies thereof.

29. Within fourteen days from the delivery of such copies the applicant may leave at the Office statutory declarations in answer, and on so leaving shall deliver to the opponent copies thereof, and within fourteen days from such delivery the opponent may leave at the Office his statutory declarations in reply, and on so leaving shall deliver to the applicant copies thereof. Such last-

mentioned declarations shall be confined to matters strictly in reply.

30. If the opponent does not leave statutory declarations in support of his opposition, the applicant may (if he desires so to do), within three months from the date of the advertisement of the acceptance of his complete specification, leave at the Office statutory declarations in support of his application, and on so leaving shall deliver to the opponent copies thereof.

31. Within fourteen days from the delivery of such copies the opponent may leave at the Office statutory declarations in answer, and on so leaving shall deliver to the applicant copies thereof, and within fourteen days from such delivery the applicant may leave at the Office his statutory declarations in reply, and on so leaving shall deliver to the opponent copies thereof. Such last-mentioned declarations shall be confined to matters strictly in reply.

32. No further evidence shall be left on either side except by leave, or on the requisition, of the Registrar.

33. (1.) On completion of the evidence (if any), or at such other time as he thinks fit, the Registrar shall appoint a time for the hearing of the case, and shall give the parties three weeks' notice at the least of such appointment. If either party does not desire to be heard, he shall as soon as possible notify the Registrar to that effect. If either party desires to be heard, he must leave at the Office a notice in the form No. 6 in the Second Schedule hereto. The Registrar may refuse to hear either party who has not given the prescribed notice prior to the date of hearing. If either party intends to refer at the hearing to any publication other than a specification mentioned in the notice of opposition, he should, unless the same has been referred to in a statutory declaration already filed, give to the other party and to the Registrar five days' notice at the least of his intention, together with details of each publication to which he intends to refer. After hearing the party or parties desirous of being heard, or, if neither party desires to be heard, then without a hearing, the Registrar shall decide the case and notify his decision to the parties.

(2.) The hearing shall be in Wellington, except where the parties intimate to the Registrar at least fourteen days before the time appointed for the hearing that it is their desire that it shall be held elsewhere in New Zealand. On receipt of such intimation, and on payment of such sum to cover expenses as he thinks fit, the Registrar may, in his discretion, hear the case at such other place in New Zealand as the parties thereto may mutually desire.

#### SEALING OF PATENT AND PAYMENT OF FEE.

34. (1.) If the applicant for a patent desires to have a patent sealed on his application, he shall within the period allowed by section 14 of the said Act give notice of such desire on the form No. 7 in the Second Schedule hereto, and shall pay the prescribed sealing fee.

(2.) Where in consequence of the neglect or failure of the applicant to pay any such fee a patent cannot be sealed within the period allowed by the said section 14 as aforesaid, the applicant may apply to the Registrar on the form No. 4 in the Second Schedule hereto for an extension of that period, not exceeding three months.

(3.) The Registrar shall thereupon consider the application, and if the circumstances of the case

appear to him to warrant the granting of the extension he may seal the patent within such extended period.

#### FORM OF PATENT.

35. A patent, except in the cases provided for in Regulations 36 and 37 hereof, may be in the form A in the Third Schedule hereto.

36. A patent of addition may be in the form B in the Third Schedule hereto.

37. Where after the commencement of the said Act a patent is granted to the legal representatives of a deceased inventor, or in any case in which the applicants have asked to be treated for the purpose of the devolution not only of the legal but also of the beneficial interest in such patent as joint tenants, the form of the patent shall be modified so as to show clearly that the persons to whom the grant is made are to be treated for the purpose of the devolution not only of the legal but also of the beneficial interest in the patent as joint tenants.

#### RENEWAL FEES.

38. If a patentee intends, at the expiration of the third and sixth years from the date of his patent, to keep the same in force, he shall before the expiration of such year pay the prescribed renewal fee, and apply for a renewal in the form No. 8 in the Second Schedule hereto. The patentee may pay such prescribed renewal fees in advance. An application for an enlargement of time for payment of any fee under this regulation shall be made on the form No. 4 in the Second Schedule hereto.

39. On due compliance with the terms of the last preceding regulation the Registrar shall issue a certificate that the prescribed payment has been duly made.

#### RESTORATION OF LAPSED PATENTS.

40. Where any patent has become void owing to the failure of the patentee to pay any prescribed fee within the prescribed time the patentee may apply to the Registrar, on the form No. 9 in the Second Schedule hereto, for an order for the restoration of the patent. Every such application shall be accompanied by one or more statutory declarations verifying the statements contained in such application. If the Registrar entertains the application, he shall advertise it in the Journal, and in such other manner as in his opinion is desirable. At any time within two months from the first of such advertisements in the Journal any person may give notice of opposition at the Office on the form No. 5 in the Second Schedule hereto, and a copy of such notice shall be transmitted by the Registrar to the applicant.

41. Where such notice is given the opponent shall, within fourteen days after leaving the notice, leave at the Office one or more statutory declarations verifying any evidence on which he relies in support of the grounds of his opposition, and on so leaving shall deliver to the applicant copies thereof.

42. Upon such declarations being left and delivered, the provisions of Regulations 29, 32, and 33 shall apply to the case, and the further proceedings thereon shall be regulated in accordance with such provisions as if they were herein repeated.

43. In every order of the Registrar restoring a patent provisions shall be inserted for the protection of persons who may have availed themselves

of the subject-matter of the patent after the patent has been announced as void. Such provisions shall restrain the patentee from commencing or prosecuting any action or other proceeding and from recovering any damage—

(a.) In respect of any infringement of the patent which shall have taken place after the date on which the patent was announced to be void and before the date of the order :

(b.) In respect of the use or employment at any time thereafter of any mechanism, machine, machinery, process, or operation actually made or carried on within New Zealand, or of the use, purchase, or sale of any article manufactured or made in infringement of the patent after the date of the said announcement and before the date of the order ; provided that such use, purchase, sale, or employment is by the person or corporation by or for whom such machine or machinery or article was *bona fide* manufactured or made, or such mechanism, machine, machinery, process, or operation was *bona fide* made or carried on, his or their executors, administrators, successors, or vendees, or his or their assigns respectively :

(c.) In respect of the use, employment, or sale at any time thereafter by any person or corporation entitled for the time being under the preceding paragraph to use or employ any machine, machinery, mechanism, process, or operation, or any improved or additional machine, machinery, mechanism, process, or operation, or of the use or sale of any article manufactured or made by any of the means aforesaid in infringement of the patent ; provided that the use or employment of any such improved or additional machine, machinery, mechanism, process, or operation shall be limited to the buildings, works, or premises existing at the time being or afterwards erected of the person or corporation by or for whom such machine, machinery, mechanism, process, or operation was made or carried on within the meaning of the preceding paragraph, his or their executors, administrators, successors, or assigns.

#### AMENDMENT OF SPECIFICATION.

44. A request to the Registrar for leave to amend a specification shall be made in the form No. 10 in the Second Schedule hereto. The request must be accompanied by a duly certified copy of the original specification and drawings, showing in red ink the proposed amendment in such manner as to indicate clearly the alteration desired, and shall be advertised by publication of the request and the nature of the proposed amendment in the Journal, and in such other manner (if any) as the Registrar may in each case direct.

45. A notice of opposition to the amendment shall be in the form No. 5 in the Second Schedule hereto, and shall be accompanied by an unstamped copy, which shall be transmitted by the Registrar to the applicant.

46. Within fourteen days after the expiration of one month from the first advertisement of the application for leave to amend, the opponent may leave at the Office statutory declarations in support of his opposition, and on so leaving shall deliver to the applicant copies thereof.

47. Upon such declarations being left, and such copies being delivered, the provisions of Regulations 29, 32, and 33 hereof shall apply to the case, and the further proceedings shall be regulated in accordance with such provisions as if they were herein repeated.

48. If the opponent does not leave statutory declarations in support of his opposition, the applicant may (if he desires so to do), within two months from the date of the first advertisement of the application for leave to amend, leave at the Office statutory declarations in support of his application, and on so leaving shall deliver to the opponent copies thereof.

49. Upon such declarations being left, and such copies being delivered, the provisions of Regulations 31, 32, and 33 hereof shall apply to the case, and further proceedings therein shall be regulated in accordance with such provisions as if they were herein repeated.

50. Where leave to amend is given, the applicant shall, if the Registrar so requires, and within a time to be limited by him, leave at the Office a new specification and drawings as amended, to be prepared in accordance with Regulations 4 and 16 to 20 hereof.

51. Every amendment of a specification shall be advertised forthwith by the Registrar in the Journal, and in such other manner (if any) as the Registrar may direct.

#### REGISTER OF PATENTS.

52. Upon the sealing of a patent the Registrar shall cause to be entered in the Register of Patents the name, address, and calling of the patentee as the grantee thereof, the title of the invention, the date of the patent, and the date of the grant thereof, together with the address for service.

53. The patent granted on any Convention application shall be entered in the register as dated of the date on which the first foreign application was made, and the payment of renewal fees and the expiration of the patent shall be reckoned as from the date of the first foreign application. The date of the application in New Zealand shall also be entered in the register.

54. If a patentee sends to the Registrar on the form No. 12 in the Second Schedule hereto notice of an alteration in his name or address or address for service, the Registrar shall cause the register to be altered accordingly, and may require the altered address for service to be in New Zealand.

55. Where a person becomes entitled by assignment, transmission, or other operation of law to a patent, or to any interest therein, as mortgagee, licensee, or otherwise, a request for the entry in the register of his name as proprietor of the patent, or of a notice of such interest, as the case may be, shall be addressed to the Registrar, and left at the Office.

56. Such request shall be in the form No. 13 or No. 14 in the Second Schedule hereto, as the case may require, and shall in the case of an individual be made and signed by the person requiring the entry to be made, or by his agent, and in the case of a body corporate by its agent.

57. Every such request shall state the name, address, and calling of the person claiming to be entitled to the patent, or to any interest therein, as the case may be, and the particulars of the assignment, transmission, or other operation of law, by virtue of which he claims to have entered in the register his name as proprietor or a notice of such interest, so as to show the manner in

which, and the person or persons to whom, the patent, or such interest therein as aforesaid, has been assigned or transmitted.

58. Every assignment, and every other document containing, giving effect to, or being evidence of the transmission of a patent, or affecting the proprietorship thereof, as claimed by such request, except such documents as are matters of record, shall, unless the Registrar in his discretion otherwise directs, be produced to him together with the request, and he may call for such other proof of title as he may require for his satisfaction.

As to a document which is a matter of record, an official or certified copy thereof shall in like manner be produced to the Registrar.

59. There shall also be left with the request an attested copy of the assignment or other document or copy above required to be produced.

60. The notice of interest in the patent of any person other than the proprietor entered in the register in pursuance of the request shall be such as may appear applicable to the circumstances of the particular case.

61. Where it is desired to enter in the register a notification of any document purporting to affect the proprietorship of a patent, an attested copy of such document shall be left at the Office with a request in the form No. 15 in the Second Schedule hereto that a notification thereof may be entered in the register. The accuracy of such copy shall be certified as the Registrar may direct, and the original documents shall at the same time be produced and left at the Office if required for further verification.

62. Upon the issue of a certificate of payment under Regulation 39 hereof the Registrar shall cause to be entered in the register a record of the date of payment of the fee on such certificate.

63. If a patentee fails to make any prescribed payment within the prescribed time or any enlargement thereof duly granted there shall be duly entered in the register a notification of such failure.

64. The Register of Patents shall be open to the inspection of the public on every day on which the Office is open to the public during the time it is so open, except at such times when the register is required for any purpose of official use.

#### CORRECTION OF CLERICAL ERRORS.

65. A request for the correction of a clerical error in or in connection with an application for a patent, or in any patent or specification, or in any matter which is entered upon the Register of Patents, shall be made in the form No. 16 in the Second Schedule hereto.

#### CERTIFICATES.

66. A request for a certificate of the Registrar as to any entry, matter, or thing which he is authorized by the said Act or any of these regulations to make or do shall be made in the form No. 17 in the Second Schedule hereto.

Certified copies of any entry in the register, or certified copies of, or extracts from, patents, specifications, disclaimers, affidavits, statutory declarations, and other public documents in the Office, or of or from registers and other books kept there, may be furnished by the Registrar on payment of the prescribed fee.

#### LOST PATENT.

67. An application for a duplicate of a patent which has been lost or destroyed shall be made in

the form No. 18 in the Second Schedule hereto, and in accordance with the directions thereon.

#### INDUSTRIAL OR INTERNATIONAL EXHIBITIONS.

68. Any person desirous of exhibiting an invention at an industrial or international exhibition, declared as such by the Governor, or of publishing any description of the invention during the period of the holding of the exhibition, or of using the invention for the purpose of the exhibition, in the place where the exhibition is held, may give to the Registrar notice in the form No. 19 in the Second Schedule hereto of his intention so to exhibit, publish, or use the invention, as the case may be. For the purpose of identifying the invention in the event of an application for a patent being subsequently made, the inventor shall furnish to the Registrar a brief description of his invention, accompanied, if necessary, by drawings and such other information as the Registrar may in each case require.

#### EXERCISE OF DISCRETIONARY POWERS BY THE REGISTRAR.

69. Before exercising any discretionary power given to the Registrar by the said Act or these regulations adversely to the applicant for a patent or for amendment of a specification, the Registrar shall give the applicant, within such time as the Registrar may allow, an opportunity of putting his case before him in writing, or, if he so desires, of being heard personally or by his agent.

70. Whether the applicant desires to be heard or not, the Registrar may at any time require him to submit a statement in writing within a time to be notified by the Registrar, or to attend before him and make oral explanations with respect to such matters as the Registrar may require.

71. The decision or determination of the Registrar in the exercise of any such discretionary power as aforesaid shall be notified by him to the applicant, and to any other person who appears to him to be affected thereby.

#### STATUTORY DECLARATIONS.

72. The statutory declarations required by these regulations, or used in any proceedings thereunder, shall be headed in the matter or matters to which they relate, and shall be drawn up in the first person, and shall be divided into paragraphs consecutively numbered, and each paragraph shall so far as possible be confined to one subject. Every statutory declaration shall state the description and true place of abode of the person making the same, and shall bear the name and address of the person leaving it, and shall state on whose behalf it is left.

73. The statutory declarations required by the said Act and these regulations, or used in any proceedings thereunder, shall be made and subscribed as follows:—

- (a.) In New Zealand, in the manner prescribed by the Justices of the Peace Act, 1908;
- (b.) In the United Kingdom, before any Justice of the Peace, or any Commissioner or other officer authorized by law in any part of the United Kingdom to administer an oath for the purpose of any legal proceeding;
- (c.) In any other part of His Majesty's dominions, before any Court, Judge, Justice of the Peace, or any officer authorized by law to administer an oath there for the purpose of a legal proceeding; and

- (d.) If made out of His Majesty's dominions, before a British Minister, or person exercising the functions of a British Minister, or a Consul, Vice-Consul, or other person exercising the functions of a British Consul, or before a Notary Public, or before a Judge or Magistrate.

#### GENERAL.

74. Any document for the amending of which no special provision is made by the said Act may be amended, and any irregularity in procedure which in the opinion of the Registrar may be obviated without detriment to the interests of any person may be corrected, if and on such terms as the Registrar may think fit.

75. (1.) The times prescribed by these regulations for doing any act, or taking any proceeding thereunder, may be enlarged by the Registrar if he thinks fit, upon such notice to parties and upon such terms as he may direct; and such enlargement may be granted although the time has expired for doing any such act or taking any such proceeding.

(2.) Any fee payable or any document required to be lodged in pursuance of these regulations shall be deemed to be paid or lodged within the prescribed time if it is paid or lodged at a local Patent Office, and the Registrar has within such time received notice by telegraph or otherwise of such payment or lodgment.

76. The Office shall be open to the public every week-day except Saturday between the hours of 10 a.m. and 1 p.m., and from 2 p.m. till 4 p.m., and on Saturday between the hours of 10 a.m. and noon, except on the days following:—

The days from Good Friday to Easter Tuesday, both inclusive; the days from Christmas Eve to the 3rd January, both inclusive; the birthday of the reigning Sovereign; the birthday of His Royal Highness the Prince of Wales; and any other day observed by the Government as a public holiday.

77. Whenever the last day fixed by the said Act or by these regulations for doing anything falls on a day when the Office or local Patent Office is not open, or on a Saturday (which days shall be excluded days for the purposes of the said Act and these regulations), it shall be lawful to do any such thing on the day next following such excluded day, or days if two or more of them occur consecutively.

78. Where, under these regulations, any person is required to do any act or thing, or to sign any document, or to make any declaration on behalf of himself or of any body corporate, or any document or evidence is required to be produced or left with the Registrar, or at the Office, and it is shown to the satisfaction of the Registrar that from any reasonable cause such person is unable to do such act or thing, or to sign such document, or to make such declaration, or that such document or evidence cannot be produced or left as aforesaid, it shall be lawful for the Registrar, upon the production of such other evidence, and subject to such terms as he thinks fit, to dispense with any such act or thing, document, declaration, or evidence.

#### APPLICATIONS TO AND ORDERS OF COURT.

79. Four clear days' notice of every application to the Court under section 110 of the said Act for rectification of the Register of Patents shall be given to the Registrar.

80. Where any order has been made by the Court under the said Act revoking a patent or extending



the term of a patent, or allowing a patentee to amend his specification, or affecting the validity or proprietorship of a patent, the person in whose favour such order has been made shall forthwith leave at the Office an office copy of such order, together with the form No. 20 in the Second Schedule hereto. The specification shall thereupon be amended or the register rectified, or the purport of such order shall otherwise be duly entered in the register, as the case may require.

INSPECTION OF DOCUMENTS.

81. Copies of deeds, licenses, and other documents affecting the proprietorship in any letters patent, or in any license thereunder which are supplied to the Registrar in pursuance of section 30 of the said Act, shall, on payment of the prescribed fee, be open to public inspection.

REGULATIONS REVOKED.

82. The following regulations are hereby revoked: Regulations under the Patents, Designs, and Trade-marks Act, 1889, dated respectively the 2nd October, 1889, the 12th January, 1891, and the 29th April, 1899; and published respectively in *Gazette*, 1889, page 1053; 1891, page 66; 1899, page 889.

FIRST SCHEDULE.

LIST OF FEES PAYABLE.

	£	s.	d.	Form.
On application with provisional specification	0	10	0	1, 1A, 1C
On application with complete specification	1	0	0	1, 1A, 1B, 1C
On filing complete specification subsequently	1	0	0	3
On notice of appeal to the Supreme Court against any action or decision of the Registrar	1	0	0	..
On application for extension of time, for each month or part thereof	0	10	0	4
On giving notice of opposition ..	0	10	0	5
On application to lodge further evidence in opposition cases	2	0	0	..
On hearing, by applicant and opponent respectively	1	0	0	6
On request for sealing letters patent or any duplicate thereof	2	0	0	7, 18
Before the expiration of third year from commencement of patent	3	0	0	8
Before the expiration of sixth year from commencement of patent	6	0	0	8
On application for restoration of lapsed patent	2	0	0	9
On restoration of lapsed patent, for each month since date of lapse	1	0	0	..
On application to amend specification ..	1	0	0	10
On offer to surrender patent ..	1	0	0	11
For altering name or address on register ..	0	5	0	12
On request to enter name of subsequent proprietor or notification of any interest or document in the Register of Patents	0	10	0	13, 14, 15
On request to correct clerical error ..	0	5	0	16
For certificate of Registrar ..	0	5	0	17
On notice to Registrar of intended exhibition of invention	0	10	0	19
On application for entry of order of Court on register	0	5	0	20
On inspection of each file or register ..	0	1	0	..
For search classified specifications and drawings and indexes, each hour or part of an hour	0	1	0	..
For copy or extract (per folio 72 words)* ..	0	0	3	..
For copy of specifications and drawings as per arrangement)*	..	..	..	..

\* But never less than 1s.

SECOND SCHEDULE.

[Form No. 1.

*The Patents, Designs, and Trade-marks Act, 1911.*

(To be accompanied by provisional specification, or by complete specification and copy thereof.)

Stamp, 10s. if a provisional specification, £1 if a complete specification is left with application.  
(Leave uncanceled).

APPLICATION FOR PATENT.

I [or WE] [*Here insert (in full) name, address, and calling of applicant or applicants*] do hereby declare that I am [or we are] in possession of an invention the title of which is [*Here insert title of invention*]; that [*In the case of more than one applicant state here who is or are the inventor or inventors*] claim[s] to be the true and first inventor[s] thereof; and that the same is not in use by any other person or persons to the best of my [or our] knowledge and belief; and I [or we] humbly pray that a patent may be granted to me [or us] for the said invention.

Dated at , the day of , 19 .

[To be signed by applicant or applicants.]

[NOTE.—One of the two following forms, or a separate authorization of agent, should be signed by the applicant or applicants.]

To the Registrar of Patents, Wellington, New Zealand.

(1) Where Application is made through an Agent.

I [or WE] hereby appoint , of , to act as my [or our] agent in respect of the within application for a patent, and request that all notices, requisitions, and communications relating thereto may be sent to such agent at the above address.

Dated at , the day of , 19 .

[Signature.]

(2) Where Application is made without an Agent.

I [or WE] hereby request that all notices, requisitions, and communications in respect of the within application may be sent to , at .

Dated at , the day of , 19 .

[Signature.]

Stamp, 10s. if a provisional specification, £1 if a complete specification accompanies application.  
(Leave uncanceled).

[Form No. 1A.

*The Patents, Designs, and Trade-marks Act, 1911.*

(To be accompanied by provisional specification, or by complete specification and copy thereof.)

APPLICATION FOR PATENT BY NOMINEE OR ASSIGNEE.

I [or WE] [*Here insert (in full) name, address, and calling of applicant or applicants*] do hereby declare that I am [or we are] in possession of an invention the title of which is [*Here insert title of invention*]; that I [or we] claim to be the true and first inventor[s] thereof as the nominee [or assignee] of [*Here insert name, address, and calling of actual inventor(s)*]; and that the same is not in use by any other person or persons to the best of my [or our] knowledge and belief; and I [or we] humbly pray that a patent may be granted to me [or us] for the said invention.

Dated at , the day of , 19 .

[To be signed by applicant or applicants.]

[NOTE.—One of the two following forms, or a separate authorization of agent, should be signed by the applicant or applicants.]

To the Registrar of Patents, Wellington, New Zealand.

(1) Where Application is made through an Agent.

I [or WE] hereby appoint , of , to act as my [or our] agent in respect of the within application for a patent, and request that all notices, requisitions, and communications relating thereto may be sent to such agent at the above address.

Dated at , the day of , 19 .

[Signature.]

(2.) Where Application is made without an Agent.

I [or We] hereby request that all notices, requisitions, and communications in respect of the within application may be sent to at

Dated at , the day of , 19 .

[Signature.]

[Form No. 1b.

Stamp, £1. (Leave uncancelled.)

The Patents, Designs, and Trade-marks Act, 1911. (To be accompanied by complete specification.)

APPLICATION FOR PATENT UNDER INTERNATIONAL AND COLONIAL ARRANGEMENTS.

I [or WE] [Here insert (in full) name, address, and calling of applicant or applicants] do hereby declare that I [or we] have made applications for protection of my [or our] invention of [Here insert title of invention] in the following countries [Here insert the name of each country, followed by the official date of the application in each respectively]; that the said invention was not in use within New Zealand by any other person or persons before the [Here insert the official date of the earliest foreign application] to the best of my [or our] knowledge, information, and belief; and I [or we] humbly pray that a patent may be granted to me [or us] for the said invention in priority to other applicants, and that such patent shall have the date [Here insert the official date of the earliest foreign application].

[To be signed by applicant or applicants.]

[NOTE.—One of the two following forms, or a separate authorization of agent, should be signed by the applicant or applicants.]

To the Registrar of Patents, Wellington, New Zealand.

(1.) Where Application is made through an Agent.

I [or We] hereby appoint , of , to act as my [or our] agent in respect of the within application for a patent, and request that all notices, requisitions, and communications relating thereto may be sent to such agent at the above address.

Dated at , the day of , 19 .

[Signature.]

(2.) Where Application is made without an Agent.

I [or We] hereby request that all notices, requisitions, and communications in respect of the within application may be sent to , at

Dated at , the day of , 19 .

[Signature.]

[Form No. 1c.

Stamp, 10s. if a provisional specification, £1 if a complete specification is left with application. (Leave uncancelled.)

The Patents, Designs, and Trade-marks Act, 1911. (To be accompanied by provisional specification, or by complete specification and copy thereof.)

APPLICATION FOR PATENT OF ADDITION.

I [or WE] [Here insert (in full) name, address, and calling of applicant or applicants] do hereby declare that I am [or we are] in possession of an invention the title of which is [Here insert title of invention]; that [In the case of more than one applicant, state here who is or are the inventor or inventors] claim[s] to be the true and first inventor[s] thereof; that the same is not in use by any other person or persons to the best of my [or our] knowledge and belief; and that the said invention is an improvement in or modification of my [or our] invention for which a patent was applied for on the day of , 19 , and numbered , for which I was [or we were] the applicant[s], [or of which I am (or we are) the patentee(s)]; and I [or we] humbly pray that a patent may be granted to me [or us] for the said invention, and request that the term limited in such further patent for the duration thereof be the same as that of the original patent, or so much of that term as is unexpired.

Dated at , the day of , 19 .

[To be signed by applicant or applicants.]

[NOTE.—One of the two following forms, or a separate authorization of agent, should be signed by the applicant or applicants.]

To the Registrar of Patents, Wellington, New Zealand.

(1.) Where Application is made through an Agent.

I [or We] hereby appoint , of , to act as my [or our] agent in respect of the within application for a patent, and request that all notices, requisitions, and communications relating thereto may be sent to such agent at the above address.

Dated at , the day of , 19 .

[Signature.]

(2.) Where Application is made without an Agent.

I [or We] hereby request that all notices, requisitions, and communications in respect of the within application may be sent to , at

Dated at , the day of , 19 .

[Signature.]

[Form No. 2.

The Patents, Designs, and Trade-marks Act, 1911.

PROVISIONAL SPECIFICATION.

[Here insert title verbally agreeing with that in the application form.]

I [or WE] [Here insert (in full) name, address, and calling of applicant or applicants as in application form] do hereby declare the nature of this invention to be as follows: [Here begin description of the nature of the invention. The continuation of the specification should be upon wide-ruled paper of the same size, on one side only, with a margin of 1 1/2 inches on the left-hand part of the paper. The specification must be signed at the end, and dated (thus): Dated at , the day of , 19 .]

[Form No. 3.

The Patents, Designs, and Trade-marks Act, 1911.

£1 stamp if lodged after application and provisional specification. (Leave uncancelled.)

Where provisional specification or specifications have been left, quote No. or Nos., and date or dates. No. Date

COMPLETE SPECIFICATION.

(To be furnished in duplicate—one unstamped.)

[Here insert title verbally agreeing with that in the application form.]

I [or WE] [Here insert (in full) name, address, and calling of applicant or applicants as in application form] do hereby declare the nature of this invention and in what manner the same is to be performed, to be particularly described and ascertained in and by the following statement: [Here begin full description of invention. The continuation of the specification should be upon wide-ruled paper of the same size, on one side only, with a margin of 1 1/2 inches on the left-hand part of the paper. The completion of the description should be followed by the words—Having now particularly described and ascertained the nature of my (or our) said invention, and in what manner the same is to be performed, I (or we) declare that what I (or we) claim is—after which should be written the claim or claims numbered consecutively. The specification and the duplicate thereof must be signed at the end and dated (thus): Dated at , the day of , 19 .]

[Form No. 4.

Stamp, 10s, £1, or £1 10s. (Leave uncancelled.)

The Patents, Designs, and Trade-marks Act, 1911.

APPLICATION FOR EXTENSION OF TIME.

I HEREBY apply for extension of time, from the day of , 19 , for , upon the grounds following, namely,

The prescribed fee is enclosed.

[Signature.]

To the Registrar of Patents, Wellington, New Zealand.

[Form No. 5.]

Stamp, 10s.  
(Leave uncancelled.)

*The Patents, Designs, and Trade-marks Act, 1911.*

FORM OF OPPOSITION.  
(To be accompanied by an unstamped copy.)

I [or WE] [*Here state (in full) name and address*] hereby give notice of my [or our] intention to oppose the grant of letters patent upon application No. of [or as the case may be], applied for by upon the ground [*Here state grounds of opposition*].

My [or our] address for service in New Zealand is

[Signature.]

To the Registrar of Patents, Wellington, New Zealand.

[NOTE.—Where the person giving notice of an opposition does not desire that the patent should be refused, but merely that the specification should be amended by disclaimer or limitation, it is desirable that the notice of opposition should be accompanied or supplemented as soon as may be by a written statement to that effect indicating so far as can conveniently be done the general nature of the amendments desired and the portions of the earlier specifications, if any, relied upon as necessitating such amendments.]

[Form No. 9.]

Stamp, £2.  
(Leave uncancelled.)

*The Patents, Designs, and Trade-marks Act, 1911.*

APPLICATION FOR THE RESTORATION OF A LAPSED PATENT UNDER SECTION 22 OF THE ACT.

I [or WE] hereby apply for an order of the Registrar for the restoration of the patent No. granted upon application No. dated

The circumstances which have led to the omission of the payment of the fee of [*State amount of fee*] on or before the [*State last day when fee was due*] are as follows [*The circumstances must be stated in detail*].

[Signature.]

To the Registrar of Patents, Wellington, New Zealand.

[Form No. 6.]

Stamp, £1.  
(Leave uncancelled.)

*The Patents, Designs, and Trade-marks Act, 1911.*

FORM OF NOTICE THAT HEARING OF OPPOSITION BEFORE THE REGISTRAR WILL BE ATTENDED.

I [or WE] [*Here insert (in full) name and address*] hereby give notice that the hearing in reference to will be attended by myself [or ourselves] or by some person on my [or our] behalf.

[Signature.]

To the Registrar of Patents, Wellington, New Zealand.

[Form No. 10.]

Stamp, £1.  
(Leave uncancelled.)

*The Patents, Designs, and Trade-marks Act, 1911.*

FORM OF APPLICATION FOR AMENDMENT OF SPECIFICATION.

I [or WE] [*Here state (in full) name and address of applicant or patentee*] seek leave to amend the specification of letters patent No. of , as shown in red ink in the certified copy of the original specification herewith annexed.

I [or We] declare that no action for infringement or proceeding before the Court for the revocation of the letters patent in question is pending [*These words are to be struck out when letters patent have not been sealed*].

My [or Our] reasons for making this amendment are as follows [*Here state reasons for seeking amendment; and where the applicant is not the patentee, state what interest he possesses in the letters patent*].

My [or Our] address for service is

[Signature of applicant or patentee.]

To the Registrar of Patents, Wellington, New Zealand.

[N.B.—No amendment is permissible that would make the invention substantially larger or substantially different. See section 23 of the Act.]

[Form No. 7.]

Stamp, £2.  
(Leave uncancelled.)

*The Patents, Designs, and Trade-marks Act, 1911.*

FORM OF NOTICE OF DESIRE TO HAVE PATENT SEALED.

I [or WE] [*Here insert name of applicant or applicants*] desire to have a patent sealed on my [or our] application No. , dated the day of , 19 , and I [or we] hereby transmit the prescribed fee on sealing, and request that the following may be entered on the register as my [or our] address for service :

[Signature of applicant or applicants or his or their agent.]

To the Registrar of Patents, Wellington, New Zealand.

[Form No. 11.]

Stamp, £1.  
(Leave uncancelled.)

*The Patents, Designs, and Trade-marks Act, 1911.*

FORM OF OFFER TO SURRENDER A PATENT UNDER SECTION 28 OF THE ACT.

I [or WE] [*Here state (in full) name and address of patentee or patentees*] hereby offer to surrender the patent granted upon application No. dated

No action for infringement or proceeding for the revocation of the patent is pending [*If any action or proceeding is pending, state nature thereof*].

My [or Our] reasons for making this offer are as follows :

My [or Our] address for service is

[Signature of patentee.]

To the Registrar of Patents, Wellington, New Zealand.

[Form No. 8.]

Stamp, £3 or £6.  
(Leave uncancelled.)

*The Patents, Designs, and Trade-marks Act, 1911.*

APPLICATION FOR RENEWAL.

I [or WE] hereby transmit the fee prescribed for the continuation in force of [*Here insert name of patentee*] patent No. , of , for a further period of

It is requested that the address for service of the patentee shall be [*Here insert name and full address to which certificate is to be sent*].

To the Registrar of Patents, Wellington, New Zealand.

[Form No. 12.]

Stamp, 5s.  
(Leave uncancelled.)

*The Patents, Designs, and Trade-marks Act, 1911.*

FORM OF NOTICE FOR ALTERATION OF A NAME OR AN ADDRESS OR AN ADDRESS FOR SERVICE IN REGISTER OF PATENTS.

In the matter of patent No. , of

I [or WE] [*Here state (in full) name or names and address of applicant or applicants*] hereby request that my [or our] name [or address, or address for service] now upon the Register of Patents may be altered to

[Signature.]

To the Registrar of Patents, Wellington, New Zealand.

[This part of the form to be filled in at the Patent Office.]

CERTIFICATE OF RENEWAL.

Letters Patent No. , of

This is to certify that did this day of , 19 , make the prescribed payment of £ in respect of a period of from , and that by virtue of such payment the rights of the patentee remain in force.

[SEAL.] , Registrar of Patents.

[Form No. 13.]

Stamp, 10s.  
(Leave uncancelled.)

*The Patents, Designs, and Trade-marks Act, 1911.*

FORM OF REQUEST TO ENTER NAME OF PROPRIETOR OF PATENT OR OF AN INTEREST THEREIN UPON THE REGISTER OF PATENTS.

I [or WE] [*Here insert (in full) name, address, and calling*] hereby request that you will enter my [or our] name [or names] in the Register of Patents as proprietor of patent No. \_\_\_\_\_ of \_\_\_\_\_, granted to [*Here give name and address of person to whom patent was granted*] the title of which is [*Here insert title of invention*].

I [or WE] claim to be so entitled by virtue of [*Here specify the particulars of such document, giving its date, and the parties to the same, and showing how the claim here made is substantiated*]; and in proof whereof I [or we] transmit the accompanying [*Here insert the nature of the document*] with an attested copy thereof.

My [or Our] address for service is \_\_\_\_\_

[Signature.]  
[*Here state in what capacity the signatory is acting.*]

To the Registrar of Patents, Wellington, New Zealand.

[Form No. 14.]

Stamp, 10s.  
(Leave uncancelled.)

*The Patents, Designs, and Trade-marks Act, 1911.*

FORM OF REQUEST TO ENTER IN THE REGISTER OF PATENTS A NOTICE OF AN INTEREST IN A PATENT.

I [or WE] [*Here insert (in full) name, address, and calling*] hereby request that you will enter in the Register of Patents a notice of the following interest in a patent:—

I [or WE] claim to be entitled [*Here insert the nature of the claim, whether by way of mortgage, license, or otherwise*], to an interest in patent No. \_\_\_\_\_ of \_\_\_\_\_, granted to [*Here give name and address of person to whom patent was granted*] the title of which is [*Here insert title of the invention*] by virtue of [*Here specify the particulars of such document, giving its date, and the parties to the same, and showing how the claim here made is substantiated*].

And in proof whereof I [or we] transmit the accompanying [*Here insert the nature of the document*] with an attested copy thereof.

My [or Our] address for service is \_\_\_\_\_

[Signature.]  
[*Here state in what capacity the signatory is acting.*]

To the Registrar of Patents, Wellington, New Zealand.

[Form No. 15.]

Stamp, 10s.  
(Leave uncancelled.)

*The Patents, Designs, and Trade-marks Act, 1911.*

FORM OF REQUEST TO ENTER NOTIFICATION OF DOCUMENT IN THE REGISTER OF PATENTS.

I [or WE] hereby transmit an attested copy of [*Here insert a description of the nature of the document, giving its date and the names and addresses of the parties thereto*] under patent No. \_\_\_\_\_ of \_\_\_\_\_, as well as the original document for verification, and I [or we] have to request that a notification thereof may be entered in the register.

[Signature.]  
[*Here insert full address of party benefiting under the document.*]

To the Registrar of Patents, Wellington, New Zealand.

[Form No. 16.]

Stamp, 5s.  
(Leave uncancelled.)

*The Patents, Designs, and Trade-marks Act, 1911.*

FORM OF REQUEST FOR CORRECTION OF CLERICAL ERROR.

I [or WE] hereby request that the following clerical error[s] in the [*Here state whether in application, specification, or register*] No. \_\_\_\_\_, of \_\_\_\_\_, may be corrected in the

manner shown in red ink in the certified copy of the original [*State whether application, specification, or register*] hereunto annexed.

[Signature.]  
[*Address in full.*]

To the Registrar of Patents, Wellington, New Zealand.

[Form No. 17.]

Stamp, 5s.  
(Leave uncancelled.)

*The Patents, Designs, and Trade-marks Act, 1911.*

REQUEST FOR CERTIFICATE OF REGISTRAR.  
In the matter of patent No. \_\_\_\_\_, of \_\_\_\_\_.

I [or WE], \_\_\_\_\_, of \_\_\_\_\_, hereby request you to furnish me [or us] with your certificate to the effect that [*Here set out the particulars which the Registrar is requested to certify*].

[*Name and full address to which certificate is to be sent.*]

Dated at \_\_\_\_\_, the \_\_\_\_\_ day of \_\_\_\_\_, 19\_\_\_\_.

To the Registrar of Patents, Wellington, New Zealand.

[Form No. 18.]

Stamp, £2.  
(Leave uncancelled.)

*The Patents, Designs, and Trade-marks Act, 1911.*

APPLICATION FOR DUPLICATE OF PATENT.

I [or WE] regret to have to inform you that the patent dated \_\_\_\_\_, No. \_\_\_\_\_, granted to \_\_\_\_\_ for an invention the title of which is \_\_\_\_\_, has been [*Here insert the word destroyed or lost, as the case may be, and state, in full, the circumstances of the case, which must be verified by statutory declaration*].

I [or WE] beg therefore to apply for the issue of a duplicate of such patent [*Here state interest possessed by applicant or applicants in the patent*].

Dated at \_\_\_\_\_, the \_\_\_\_\_ day of \_\_\_\_\_, 19\_\_\_\_.

[Signature of patentee or patentees.]

To the Registrar of Patents, Wellington, New Zealand.

[Form No. 19.]

Stamp, 10s.  
(Leave uncancelled.)

*The Patents, Designs, and Trade-marks Act, 1911.*

NOTICE OF INTENDED EXHIBITION OF AN UNPATENTED INVENTION.

I [or WE] [*Here state (in full) name and address of applicant or applicants*] hereby give notice of my [or our] intention to exhibit a \_\_\_\_\_ of \_\_\_\_\_ at the \_\_\_\_\_ Exhibition which opened [or is to open] on the \_\_\_\_\_ day of \_\_\_\_\_, 19\_\_\_\_, under the provisions of the above-mentioned Act.

I [or WE] herewith enclose a brief description of my [or our] invention. [*This description of invention should be accompanied by drawings if necessary.*]

[Signature.]

To the Registrar of Patents, Wellington, New Zealand.

[Form No. 20.]

Stamp, 5s.  
(Leave uncancelled.)

*The Patents, Designs, and Trade-marks Act, 1911.*

FORM OF APPLICATION FOR ENTRY OF ORDER OF COURT IN REGISTER.

I [or WE] [*Here state (in full) name and address of applicant or applicants*] hereby transmit an office copy of an order of the Court with reference to [*Here state the purport of the order*].

[Signature.]

To the Registrar of Patents, Wellington, New Zealand.

[Form No. 21.]

*The Patents, Designs, and Trade-marks Act, 1911.*

LOCAL PATENT OFFICER'S RECEIPT.

Local Patent Office,  
New Zealand.

RECEIVED from \_\_\_\_\_ for transmission to the Registrar of Patents, Wellington [*Complete specification in respect*]

of], application for Letters Patent for an invention for  
 , at the hour of o'clock .m., this  
 day of , 19 .

Local Patent Officer.

Receipt by local Patent Officer.]

THIRD SCHEDULE.

FORM OF PATENT.

GEORGE V, by the grace of God, of the United Kingdom of Great Britain and Ireland and of the British Dominions beyond the Seas King, Defender of the Faith, Emperor of India: To all to whom these presents shall come, greeting:

WHEREAS hath declared that he is in possession of an invention for , that he claims to be the true and first inventor thereof, and that the same is not in use by any other person to the best of his knowledge and belief: And whereas the said inventor hath humbly prayed that a patent might be granted unto him for the sole use and advantage of his said invention: And whereas the said inventor (hereinafter, together with his executors, administrators, and assigns, or any of them, referred to as "the said patentee") hath by and in his complete specification particularly described the nature of his invention: And whereas We, being willing to encourage all inventions which may be for the public good, are graciously pleased to condescend to his request:

Know ye, therefore, that We, of our especial grace, certain knowledge, and mere motion, do by these presents, for us, our heirs and successors, give and grant unto the said patentee our especial license, full power, sole privilege, and authority, that the said patentee, by himself, his agents, or licensees, and no others, may at all times hereafter during the term of years herein mentioned make, use, exercise, and vend the said invention within New Zealand and its dependencies, in such manner as to him or them may seem meet, and that the said patentee shall have and enjoy the whole profit and advantage from time to time accruing by reason of the said invention during the term of fourteen years from the date hereunder written of these presents: And to the end that the said patentee may have and enjoy the sole use and exercise and the full benefit of the said invention, We do by these presents, for us, our heirs, and successors, strictly command all our subjects whatsoever within New Zealand and its dependencies that they do not at any time during the continuance of the said term of fourteen years either directly or indirectly make use of or put in practice the said invention, or any part of the same, nor in anywise imitate the same, nor make or cause to be made any addition thereto or subtraction therefrom, whereby to pretend themselves the inventors thereof, without the consent, license, or agreement of the said patentee in writing under his hand and seal, on pain of incurring such penalties as may be justly inflicted on such offenders for their contempt of this our Royal command, and of being answerable to the patentee according to law for his damages thereby occasioned:

Provided always that these letters patent shall be revocable on any of the grounds from time to time by law prescribed as grounds for revoking letters patent granted by Us, and the same may be revoked and made void accordingly: Provided also that if the said patentee shall not pay all fees by law required to be paid in respect of the grant of these letters patent, or in respect of any matter relating thereto at the time or times and in manner for the time being by law provided, and also if the said patentee shall not supply or cause to be supplied for our service all such articles of the said invention as may be required by the officers or commissioners administering any department of our service, in such manner, at such times, and at and upon such reasonable prices and terms as shall be settled in manner for the time being by law provided, then and in any of the said cases these our letters patent, and all privileges and advantages whatever hereby granted, shall determine and become void notwithstanding anything hereinbefore contained: Provided also that nothing herein contained shall prevent the granting of licenses in such manner and for such considerations as they may by law be granted: And, lastly, We do by these presents, for us, our heirs and successors, grant unto the said patentee that these our letters patent shall be construed in the most beneficial sense for the advantage of the said patentee.

In witness whereof We have caused these our letters to be made patent, and to be sealed as of the day of , one thousand nine hundred and

[Signature of Registrar of Patents, Designs, and Trade-marks.]

[Seal of Patent Office.]

[Form B.

FORM OF PATENT OF ADDITION.

GEORGE V, by the grace of God, of the United Kingdom of Great Britain and Ireland and of the British Dominions beyond the Seas King, Defender of the Faith, Emperor of India: To all to whom these presents shall come, greeting:

WHEREAS hath declared that he is in possession of an invention for , that he claims to be the true and first inventor thereof, and that the same is not in use by any other person to the best of his knowledge and belief, and that the said invention is an improvement in or modification of his invention for which a patent was applied for on and numbered , and on which a patent (hereinafter called "the original patent") has been granted for which he was the applicant [or of which he is the patentee]: And whereas the said inventor, hath humbly prayed that a patent might be granted unto him for the sole use and advantage of his said invention: And whereas the said inventor (hereinafter, together with his executors, administrators, and assigns, or any of them, referred to as "the said patentee") hath by and in his complete specification particularly described the nature of his invention, and has requested that the term limited in such patent for the duration thereof be the same as that of the original patent or so much of that term as is unexpired: And whereas we, being willing to encourage all inventions which may be for the public good, are graciously pleased to condescend to his request:

Know ye, therefore, that We, of our especial grace, certain knowledge, and mere motion do by these presents, for us, our heirs, and successors, give and grant unto the said patentee our especial license, full power, sole privilege, and authority that the said patentee, by himself, his agents or licensees, and no others, may at all times hereafter during the term of years herein mentioned make, use, exercise, and vend the said invention within New Zealand and its dependencies in such manner as to him or them may seem meet, and that the said patentee shall have and enjoy the whole profit and advantage from time to time accruing by reason of the said invention during the term of fourteen years from the day of , being the date of the said original patent No. , or so much of that term as is unexpired. And to the end that the said patentee may have and enjoy the sole use and exercise and the full benefit of the said invention, We do by these presents, for us, our heirs, and successors, strictly command all our subjects whatsoever within New Zealand and its dependencies that they do not at any time during the continuance of the said term either directly or indirectly make use of or put in practice the said invention, or any part of the same, nor in anywise imitate the same, nor make or cause to be made any addition thereto or subtraction therefrom, whereby to pretend themselves the inventors thereof, without the consent, license, or agreement of the said patentee in writing under his hand and seal, on pain of incurring such penalties as may be justly inflicted on such offenders for their contempt of this our Royal command, and of being answerable to the patentee according to law for his damages thereby occasioned:

Provided always that these letters patent shall be revocable on any of the grounds from time to time by law prescribed as grounds for revoking letters patent granted by Us, and the same may be revoked and made void accordingly: Provided also that if the said patentee shall not pay all fees by law required to be paid in respect of the grant of the said original letters patent, or in respect of any matter relating thereto, at the time or times and in manner for the time being by law provided, and also if the said patentee shall not supply or cause to be supplied for our service all such articles of the said invention as may be required by the officers or commissioners administering any department of our service, in such manner, at such times, and at and upon such reasonable prices and terms as shall be settled in manner for the time being by law provided, then and in any of the said cases these our letters patent, and all privileges and advantages whatever hereby granted, shall determine and become void notwithstanding anything hereinbefore contained: Provided also that nothing herein contained shall prevent the granting of licenses in such manner and for such considerations as they may by law be granted: And, lastly, we do by these presents, for us, our heirs, and successors, grant unto the said patentee that these our letters patent shall be construed in the most beneficial sense for the advantage of the said patentee.

In witness whereof We have caused these our letters to be made patent, and to be sealed as of the day of , one thousand nine hundred and

[Signature of Registrar of Patents, Designs, and Trade-marks.]

[Seal of Patent Office.]

J. F. ANDREWS,  
 Clerk of the Executive Council.

**Regulations under the Patents, Designs, and Trade-marks Act, 1911, relating to Designs.**

ISLINGTON, Governor.

**ORDER IN COUNCIL.**

At the Government Buildings, at Wellington, this fifth day of June, 1912.

Present :

THE HONOURABLE GEO. LAURENSEN PRESIDING IN COUNCIL.

IN pursuance and exercise of the power and authority conferred upon him by the one-hundred-and-twenty-third section of the Patents, Designs, and Trade-marks Act, 1911 (hereinafter referred to as "the said Act"), and of all other powers enabling him in that behalf, His Excellency the Governor of the Dominion of New Zealand, acting by and with the advice and consent of the Executive Council of the said Dominion, doth hereby make the following regulations relating to designs; and doth declare that this Order shall come into force on the first day of July, one thousand nine hundred and twelve.

**REGULATIONS.**

**INTERPRETATION.**

1. In these regulations—

"Agent" means an agent authorized to the satisfaction of the Registrar :

"Office" means the Patent Office, Wellington :

"Journal" means the Patent Office Journal :

"Specimen" means an article of manufacture or a substance with the design applied to it.

**FEEs.**

2. The fees to be paid in pursuance of the said Act, so far as it relates to designs, shall be the fees specified in the First Schedule hereto.

All fees must be paid in advance in stamps, which must be affixed, uncanceled or undefaced in any way, to the documents (if any) in respect of which the fees are payable.

**FORMS.**

3. The forms herein referred to are the forms contained in the Second Schedule hereto, and such forms, or forms to the like effect, shall be used in all cases to which they are applicable, and shall be modified as directed by the Registrar to meet other cases.

**SETS OF ARTICLES.**

4. "Set" means a number of articles of the same general character ordinarily on sale together, or intended to be used together, all bearing the same design, with or without modifications not sufficient to alter the character or not substantially affecting the identity thereof.

Where there is any doubt whether given articles do or do not constitute a set, the doubt shall be determined by the Registrar.

**CLASSIFICATION OF GOODS.**

5. For the purposes of the registration of designs and of these regulations, goods are classified in the manner appearing in the Third Schedule hereto.

If any doubt arises as to the class to which any particular description of goods belongs, it shall be determined by the Registrar.

**DOCUMENTS.**

6. Subject to any other directions that may be given by the Registrar, all applications, notices, papers having representations affixed, and other documents required by the said Act or by these regulations to be lodged shall be upon strong paper

and, except where otherwise required, on one side only, of a size of approximately 13 inches by 8 inches, and having on the left-hand part thereof a margin of approximately 2 inches.

7. A document lodged by a firm or partnership may be signed in the firm's name or for and on behalf of the firm or partnership by any one or more members thereof. A document lodged by a body corporate may be signed by a director or by the secretary or other principal officer of such body corporate.

8. Any application, statement, notice, or other document authorized or required to be lodged or to be left, made, or given with or to any person under the said Act or these regulations may be sent by prepaid letter through the post. Any document sent through the post as aforesaid shall be deemed to have been delivered at the time when the letter containing the same would be delivered in the ordinary course of post, and in proving such service or sending it shall be sufficient to prove that the letter was properly addressed and put into the post. Any document required or authorized to be left at the office may be left at a local Patent Office. An application for the registration of a design shall be deemed to be dated as of the date of its delivery at the Patent Office or local Patent Office, as the case may be.

**ADDRESS.**

9. Every application shall be accompanied by an address for service to which all communications may be sent by the Registrar. If an applicant or a registered proprietor lives out of New Zealand, and has not furnished an address for service in New Zealand, the Registrar need not send to him any notice which under these regulations the Registrar is required to send.

Where an applicant lives out of New Zealand, he shall, if required, furnish the Registrar with an address for service within New Zealand, and until he does so the Registrar need not proceed with the examination of his application.

When such address for service is furnished it shall, on the registration of the design, be entered in the register as the address for service of the proprietor.

**AGENTS.**

10. An application for registration and all other communications between an applicant and the Registrar, or between the registered proprietor of a design and the Registrar, may be made by or through an agent duly authorized to the satisfaction of the Registrar, and not being debarred from recognition on any of the grounds set out in the said Act or the regulations for the time being in force thereunder.

Any such applicant or proprietor may appoint an agent to represent him in the matter of the design by signing and sending to the Registrar an authority in writing to that effect in the form No. 1 in the Second Schedule hereto, or in such other form as the Registrar deems sufficient. In case any registered proprietor of a design appoints such an agent, service upon such agent of any document relating to such design shall be deemed to be service upon the person so appointing him, and all communications directed to be made to such person in respect of such design may be addressed to such agent.

**APPLICATION FOR REGISTRATION.**

11. (1.) An application for registration of a design shall be in the form No. 2 or the form No. 3 in the Second Schedule hereto (as the case may be), shall be signed by the applicant for registration or by his agent, and shall state the class in which the design is to be registered and the article or articles to which the design is to be applied. Where the Registrar so requires, the applicant shall further state for what

purpose the article to which the design is to be applied is used and the material or the predominating material of which the article is made. Where it is desired to register the same design in more than one class, a separate application shall be made in respect of each class. Application by a body corporate may be made on its behalf by a director, or by its Secretary or other principal officer, and in such case the forms shall be modified to suit the circumstances of the case.

(2.) The Registrar may allow an application for a design, although not in accordance with the said Act and these regulations, to be left on such terms and conditions as he thinks fit, and in any such case shall require the applicant to comply with the requirements of these regulations within a time to be specified by him in that behalf. No further action need be taken by the Registrar in respect of that application until the prescribed requirements are complied with.

12. The applicant may, and shall if required by the Registrar in any case so to do, furnish a brief statement of the novelty he claims for his design, and where representations are furnished shall indorse each with such statement, if any.

13. There shall be furnished in connection with every application for the registration of a design three exactly similar drawings, photographs, tracings, or other representations or three specimens thereof.

14. When drawings or tracings are furnished, they must be in ink, and if on tracing-cloth or tracing-paper must be mounted on paper of the prescribed size.

15. When the design is to be applied to a set, each of the representations accompanying the application should show all the various arrangements in which it is proposed to apply the design to the articles included in the set.

16. When the specimens are not, in the Registrar's opinion, of a kind which can be conveniently pasted into books, representations shall be furnished for insertion in the register and for official purposes.

17. Where words, letters, or numerals are not of the essence of the design, they shall be removed from the representations or specimens.

18. Each representation of a design which consists of a repeating surface pattern must show the complete pattern and a sufficient portion of the repeat in length and width, and ought not to be of less size than 7 inches by 5 inches.

19. Where representations are supplied, the Registrar shall also be supplied, if in any case he so requires, with a specimen.

20. The Registrar shall be furnished with more representations or more specimens of any design if he requires them.

21. Where the names or representations of living persons appear on a design, the Registrar shall, if he so requires, be furnished with consents from those persons before proceeding to register the design. In the case of persons recently dead the Registrar may call for consents from their legal representatives before proceeding with registration of a design on which their names or representations appear.

#### PROCEDURE ON RECEIPT OF APPLICATION.

22. Upon receipt of an application for registration, the Registrar shall consider it, and if he thinks there is no objection to the design being registered he may accept it.

23. If after consideration of the application any objections appear, notice thereof shall be given to the applicant or his agent, and unless the Registrar is satisfied within such time as he allows that the design is not disentitled to registration, the Registrar may refuse the application. In such case the Registrar shall, if required so to do within one month from the date of his refusal, furnish the applicant with a statement in writing of the grounds of his decision, and the date when such statement is sent shall be deemed to be the date of the Registrar's decision for the purposes of appeal.

#### NON-COMPLETION.

24. Where an application for registration of a design is not completed within twelve months from the date of the application by reason of default on the part of the applicant, the Registrar shall give notice to the applicant in writing of such non-completion, and, if the applicant has an agent, shall send a duplicate of such notice to that agent. If after fourteen days from the date when such notice was sent the application is not completed the application shall be deemed to be abandoned, but the Registrar may with such notice, where the applicant lives at such distance from the Office that he cannot reasonably be expected to do what is necessary within such fourteen days, give a further time after such fourteen days for the completion of such application.

#### DEATH OF APPLICANT.

25. In the case of the death of any applicant for the registration of a design after the date of his application, and before the design applied for has been entered in the register, the Registrar may, on being satisfied of the applicant's death, enter in the register, in place of the name of such deceased applicant, the name, address, and description of the person owning the design, on such ownership being proved to the satisfaction of the Registrar.

#### CERTIFICATE OF REGISTRATION.

26. The certificate of registration to be issued by the Registrar in pursuance of section 50 of the said Act shall be in the form No. 4 in the Second Schedule hereto.

#### EXTENSION OF PERIOD OF COPYRIGHT.

27. At any time after the registration of a design the period of copyright therein may be extended for a second period of five years if application for such extension is made in the form No. 5 in the Second Schedule hereto, but no period of copyright shall be extended unless an application for extension is lodged at least one week before the expiration of the original period of five years. Where a proprietor has more than one design copyright in which ceases at the same date, he may, in place of using a separate application form for each design, include all the designs in one form, stamped with the total amount of the prescribed fees for such designs, and so modified as to meet the circumstances of the case. The form prescribed by this regulation shall be indorsed with the name and address of the person lodging the same.

28. On receipt of an application for extension as aforesaid, an entry of the extension of the period of copyright shall be made in the register, and the Registrar shall send to the registered proprietor at his registered address or his address for service a notice that the period of copyright has been extended for a further period of five years.

29. (1.) At any time not less than six months and not more than twelve months before the expiration of the second period of five years for which the copyright may have been extended as aforesaid application may be made to the Registrar for a further extension of the period of copyright by lodging the form No. 6 in the Second Schedule hereto.

(2.) If the Registrar grants the application, he shall send notice to the registered proprietor, who shall, at least one week before the expiration of the second period of five years, pay the prescribed fee by lodging form No. 7 in the said Second Schedule.

30. The said form No. 7 shall be indorsed with the name and address of the person lodging the same, and on receipt thereof an entry of the further extension of the period of copyright shall be made in the register, and a notice of such extension, as prescribed by Regulation 28 hereof, shall be sent.

31. Upon every extension of the period of copyright the extension shall be advertised in the Journal.

## ASSIGNMENT, ETC.

32. Where a person becomes entitled as assignee, mortgagee, licensee, or otherwise to any interest in the copyright of a design, he may, conjointly with the registered proprietor, apply on the form No. 8 in the Second Schedule hereto to have an entry of the fact made in the register, and on receipt of such form the Registrar may make a note in the register of such interest.

33. Where no such joint application is made, any person who has become entitled to an interest in the copyright of a design by assignment, mortgage, license, or otherwise may apply for the entry of his name in the register as proprietor of such interest in such copyright. The application shall be on the form No. 9, and such application shall contain the name, address, and description of the person claiming to be entitled (hereinafter called the claimant).

34. Together with such application the claimant shall leave a case stating full particulars of the assignment, mortgage, license, instrument, or other mode of transfer by virtue of which he claims to be entitled to be entered in the register, so as to show the manner in which, and the person or persons through whom, such interest has been acquired.

35. Where the Registrar determines that the case referred to in the last preceding regulation sets out particulars such as entitle the claimant to be entered in the register he may call upon the claimant to furnish a statutory declaration in the form No. 10 in the Second Schedule hereto, verifying the several statements in the case and declaring that the particulars given comprise every material fact and document affecting the matter.

36. In any case, the Registrar may call on any person who desires his name to be entered in the register for such proof or additional proof of title as the Registrar may require for his satisfaction.

37. When the Registrar is satisfied that the claimant is entitled to the entry of his name, he shall make a note in the register of such interest.

38. Where the name of a person is entered on the register as mortgagee or licensee, such person may on lodging the form No. 11 have a note entered in the register that he no longer claims to be mortgagee or licensee, as the case may be.

## ALTERATION OF ADDRESS.

39. Every registered proprietor of a design who alters his address or his address for service shall forthwith apply to the Registrar on the form No. 12, and the Registrar shall alter the register accordingly.

## CORRECTION OF CLERICAL ERRORS.

40. Where an applicant desires to correct a clerical error in his application he shall lodge an application in the form No. 13.

41. Where the registered proprietor of a design desires to correct a clerical error under section 108 of the said Act he shall lodge an application in the form No. 13.

## CANCELLATIONS.

42. Where the registered proprietor of a design desires to cancel his registration either wholly or in respect of any particular goods in connection with which the design is registered he shall lodge an application in the form No. 14.

43. Cancellation may also be effected by the trustee in bankruptcy of the registered proprietor, or, where the registered proprietor is a company in liquidation by the liquidator, or in any other case where the request is made by a person whom the Registrar decides to be entitled to act in the name of the registered proprietor. In such cases form No. 14 shall be lodged, modified as the Registrar directs.

## DISCRETIONARY POWER.

44. Before exercising any discretionary power given by the said Act, adversely to any person, the Registrar shall consider any grounds or reasons that may be urged by such person orally or in writing, within such time as he allows for the purpose.

## SEARCHES.

45. Where any person desires to obtain the information which he is entitled to obtain under section 56 of the said Act, and furnishes the registration number of the design, the Registrar shall, upon application being made in the form No. 15 in the Second Schedule hereto furnish him with the information aforesaid.

Where the applicant is unable to furnish the registration number of the design, he shall make application in the form No. 16 in the Second Schedule hereto, and shall give such information as he is in possession of, and the Registrar shall thereupon make such search in the class indicated as may be possible on the information supplied, and shall furnish such information as can be afforded.

46. (1.) The Registrar may on receipt of an application in the form No. 17 in the Second Schedule hereto, accompanied by a drawing of any design, cause a search to be made among the registered designs, and state whether in his opinion the design shown in such drawing and to be applied to goods in any particular class is or is not identical with or an obvious imitation of any registered design applied to such goods of which the copyright is still existing.

(2.) After the expiration of two years from the registration of a design, the design shall be open to the inspection of any person, on payment of the prescribed fee.

## HOURS OF INSPECTION.

47. The Office shall be open to the public every week-day, except Saturday, between the hours of 10 a.m. till 1 p.m. and from 2 p.m. till 4 p.m., and on Saturday between the hours of 10 a.m. and noon, except on the days following:—

The days from Good Friday to Easter Tuesday, both inclusive; the days from Christmas Eve to the 3rd January, both inclusive; the birthday of the reigning sovereign; the birthday of His Royal Highness the Prince of Wales; and such other days as are observed by the Government as public holidays.

## POWER TO DISPENSE WITH EVIDENCE.

48. Where under these regulations any person is required to do any act or thing, or to sign any document, or to make any declaration on behalf of himself or any body corporate, or any document or evidence is required to be produced to or left with the Registrar, or at the Office, and it is shown to the satisfaction of the Registrar that from any reasonable cause such person is unable to do such act or thing, or to sign such document, or make such declaration, or that such document or evidence cannot be produced or left as aforesaid, it shall be lawful for the Registrar, upon the production of such other evidence and subject to such terms as he may think fit, to dispense with any such act or thing, document, declaration, or evidence.

## AMENDMENTS.

49. Any document or drawing or other representation of a design may be amended, and any irregularity in procedure which in the opinion of the Registrar may be obviated without detriment to the interests of any person may be corrected, if the Registrar thinks fit, and on such terms as he may direct.



## ENLARGEMENT OF TIME.

50. The time prescribed by these regulations for doing any act or taking any proceeding thereunder may be enlarged by the Registrar if he thinks fit, upon such notice to parties, and upon such terms, as he may direct, and such enlargement may be granted though the time has expired for doing such act or taking such proceeding.

51. Whenever the last day fixed by the Act or by these regulations for doing anything shall fall on a day when the Office or local Patent Office is not open, or on a Saturday, which days shall be excluded days for the purposes of the said Act and these regulations, it shall be lawful to do any such act or thing on the day next following such excluded day, or days if two or more of them occur consecutively.

52. Any fee payable or any document required to be lodged in pursuance of these regulations shall be deemed to be paid or lodged within the prescribed time if it is paid or lodged at a local Patent Office, and the Registrar has within such time received notice, by telegraph or otherwise, of such payment or lodgment.

## CERTIFICATE BY REGISTRAR.

53. Where a certificate is required for the purpose of any legal proceeding, or other special purpose, as to any entry, matter, or thing which the Registrar is authorized by the said Act or these regulations to make or do, the Registrar may give such certificate on application being made to him on the form No. 18 in the Second Schedule hereto.

## MARKING OF ARTICLES.

54. Before delivery on sale of any article to which a registered design has been applied, the proprietor of such design shall cause each such article to be marked with the word "Registered," or with the abbreviation "Regd.," or with the abbreviation "Rd.," as he may choose, and also (except in the case of articles to which have been applied designs registered in Classes 9, 13, 14, and 15) with the number appearing on the certificate of registration.

## REGISTER OF DESIGNS AND INSPECTION OF REGISTERED DESIGNS.

55. When a design is accepted there shall be entered in the register a representation or specimen of the design, the calling or description of the proprietor, the date of the application, and such other particulars as the Registrar deems necessary.

The period under section 55 of the Act during which a design shall not be open to inspection except as provided in that section shall be two years from the date of the original registration thereof.

## INDUSTRIAL AND INTERNATIONAL EXHIBITIONS.

56. Any person desirous of exhibiting a design, or any article to which a design has been applied, at an industrial or international exhibition, which has been declared as such by the Governor, or of publishing a description of a design during the period of the holding of such an exhibition, shall give the Registrar notice, on the form No. 19 in the Second Schedule hereto, of his intention to exhibit the design or article or to publish a description of the design, as the case may be. For the purpose of identifying the design in the event of an application to register the same being subsequently made, the person lodging the said form No. 19 shall supply a brief description of the nature thereof, accompanied by a sketch, drawing, or specimen, and shall supply such other information as the Registrar may in each case require.

## STATUTORY DECLARATIONS.

57. The statutory declarations required by these regulations, or used in any proceedings thereunder, shall be headed in the matter or matters to which they relate, and shall be drawn up in the first person, and shall be divided into paragraphs consecutively numbered, and each paragraph shall, so far as

possible, be confined to one subject. Every statutory declaration shall state the description and true place of abode of the person making the same, and shall bear the name and address of the person leaving it, and shall state on whose behalf it is left.

58. Statutory declarations shall be made and subscribed as follows:—

- (a.) In New Zealand, in the manner prescribed by the Justices of the Peace Act, 1908;
- (b.) In the United Kingdom, before any Justice of the Peace, or any Commissioner or other officer authorized by law in any part of the United Kingdom to administer an oath for the purpose of any legal proceedings;
- (c.) In any other part of His Majesty's dominions, before any Court, Judge, Justice of the Peace, or any officer authorized by law to administer an oath there for the purpose of a legal proceeding; and
- (d.) If made out of His Majesty's dominions, before a British Minister, or person exercising the functions of a British Minister, or a Consul, Vice-Consul, or other person exercising the functions of a British Consul, or a Notary Public, or before a Judge or Magistrate.

59. Any document purporting to have affixed, impressed, or subscribed thereto or thereon the seal or signature of any person hereby authorized to take such declaration in testimony of such declaration having been made and subscribed before him may be admitted by the Registrar without proof of the genuineness of any such seal or signature or of the official character of such person, or his authority to take such declaration.

## APPLICATIONS TO AND ORDERS OF THE COURT.

60. Four clear days' notice of every application to the Court under section 110 of the said Act for rectification of the Register of Designs shall be given to the Registrar.

61. Where an order has been made by the Court in any case under the said Act, the person in whose favour such order has been made, or such one of them, if more than one, as the Registrar may direct, shall forthwith serve on the Registrar an office copy of such order, together with an application in the form No. 20 in the Second Schedule hereto, if required. The register may, if necessary, thereupon be rectified or altered by the Registrar.

62. Whenever an order is made by the Court under the said Act, the Registrar may, if he thinks that the effect of such order should be made public, advertise a notice thereof in the Journal.

## CONVENTION APPLICATIONS.

63. Every application for the registration of a design under section 129 of the said Act (hereinafter referred to as a convention application) shall contain a declaration that foreign application has been made for the protection of the design to which the convention application relates, and shall specify the country or countries in which such foreign applications have been made, and the official date or dates of those applications respectively.

A copy of the said design, duly certified by the official chief or head of the Patent Office of the country in which the first foreign application was made, or otherwise verified to the satisfaction of the Registrar, must be left at the office at the same time as the application or within such further time there after as the Registrar may allow.

## REPEAL.

64. All general rules or regulations relative to designs heretofore made under the Patents, Designs, and Trade-marks Act, 1908, or any former Act relating to designs, and in force at the coming into operation of this Order, are hereby repealed as from that date, without prejudice, nevertheless, to anything done under such rules or regulations, or to any application or other matter then pending.

FIRST SCHEDULE.

FEES.

Subject or Proceeding.	Amount.	Form.
On application to register one design to be applied to a single article in a class	£ s. d. 0 5 0	2
On application to register one design to be applied to a set of articles in a class	0 10 0	3
On application to register at the same time one design in two or more classes—		
For the first of such classes	0 5 0	2
For each other class	0 2 6	2
On application to register at the same time two or more designs in one or more classes—		
For the first design	0 5 0	2
For each subsequent design	0 2 6	2
On extension of the period of copyright under section 52 (2)	*	5
On application for extension of period of copyright under section 52 (3)	0 10 0	6
On extension of period of copyright under section 52 (3)	†	7
On application to enter name of subsequent proprietor, &c., jointly or otherwise	‡	8, 9
On application of mortgagee, licensee, or other person having registered interest, for removal of his name	0 1 0	11
On application for entry of address for service or of new address	0 1 0	12
On application to correct clerical error	0 1 0	13
On application by proprietor or his representative for cancellation	0 1 0	14
On application for search under section 56 when registration number is supplied	0 1 0	15
On application for search under section 56 when registration number is not supplied	0 2 6	16
On application for search under Rule 46	0 2 6	17
On application for certificate of Registrar	0 5 0	18
On notice to Registrar of intended exhibition of an unregistered design	0 5 0	19
On appeal to the Court from any decision of the Registrar	0 10 0	—
For each entry in the register of an alteration in pursuance of an Order of Court	0 5 0	20
Copy of certificate of registration, each copy	0 1 0	—
Inspection of register or design where inspection is permitted, except inspection under the proviso to subsection (1) of section 55 of the Act, for each quarter of an hour	0 1 0	—
Office copy of design: Cost according to agreement	..	—
For office copy of documents, every 72 words §	0 0 3	—
On application for extension of time, for each month or part thereof	0 5 0	—

\* Double the preceding fee or fees on application in the first place.  
 † Treble the preceding fee or fees on application in the first place.  
 ‡ Same as fee on application for registration. § But never less than 1s.

SECOND SCHEDULE.

[Form No. 1.

The Patents, Designs, and Trade-marks Act, 1911.

FORM OF AUTHORIZATION.

I HAVE appointed [Here insert name and address of agent] of [Here state the particular purpose for which the agent is appointed].

[Signature of person appointing agent.]

[Address.]

Dated this day of , 19 .

To the Registrar, Patent Office, Wellington, New Zealand.

[Form No. 2.

Stamp, 5s.

OR

2s. 6d.

(Leave uncancelled.)

The Patents, Designs, and Trade-marks Act, 1911.

APPLICATION FOR REGISTRATION OF DESIGN.

YOU are hereby requested to register the accompanying design in Class in the name of [Here insert legibly the name, address, and calling of the individual, firm, or company] of , who claims to be the proprietor thereof.

The design is to be applied to

[Signature.]

Dated this day of , 19 .

To the Registrar, Patent Office, Wellington, New Zealand.

(N.B.—Three exactly similar representations or specimens of the design should accompany this form.)

[Form No. 3.

Stamp, 10s.

(Leave uncancelled.)

The Patents, Designs, and Trade-marks Act, 1911.

APPLICATION FOR REGISTRATION OF DESIGN TO BE APPLIED TO A SET.

YOU are hereby requested to register the accompanying design for [Here set out the trade description of the articles in the set, as A toilet set] being a set of articles in Class in the name of [Here insert legibly the name, address, and calling of the individual, firm, or company] of , who claims to be the proprietor thereof.

The design is to be applied to

[Signature.]

Dated this day of , 19 .

To the Registrar, Patent Office, Wellington, New Zealand.

(N.B.—Three exactly similar representations or specimens of the design should accompany this form.)

[Form No. 4.

Seal of Patent Office.

The Patents, Designs, and Trade-marks Act, 1911.

CERTIFICATE OF REGISTRATION OF DESIGN.

Rd. No.

Patent Office, Wellington, New Zealand.

THIS is to certify that the design of which a copy is annexed has been registered as of the day of , in respect of the application of such design to articles comprised in Class , in pursuance of and subject to the provisions of the Patents, Designs, and Trade-marks Act, 1911, and the regulations in force thereunder relating to designs.

, Registrar of Patents, Designs, and Trade-marks.

[Form No. 5.

Stamp for twice amount of fee on original application.

(Leave uncancelled.)

The Patents, Designs, and Trade-marks Act, 1911.

EXTENSION OF COPYRIGHT IN DESIGN FOR THE SECOND PERIOD OF FIVE YEARS.

IN accordance with the provisions of section 52 (2) of the Patents, Designs, and Trade-marks Act, 1911, the prescribed fee for the extension of the copyright in the Design No. in Class is hereby lodged.

Dated this day of , 19 .

To the Registrar, Patent Office, Wellington, New Zealand.

(N.B.—This form must be indorsed with the name and address of the person lodging the same.)

[Form No. 6.]  
 Stamp, 10s. *The Patents, Designs, and Trade-marks Act, 1911.*  
 (Leave uncanceled.) APPLICATION FOR EXTENSION OF COPYRIGHT FOR THE THIRD PERIOD OF FIVE YEARS.

I, \_\_\_\_\_, the registered proprietor of Design No. \_\_\_\_\_ in Class \_\_\_\_\_, hereby apply that the copyright in the design in question may be extended for a third period of five years in accordance with the provisions of section 52 (3) of the Patents, Designs, and Trade-marks Act, 1911.

[Signature.]  
 [Address.]  
 Dated this \_\_\_\_\_ day of \_\_\_\_\_, 19 \_\_\_\_.  
 To the Registrar, Patent Office, Wellington, New Zealand.

[Form No. 7.]  
 Stamp for treble amount of fee on original application. *The Patents, Designs, and Trade-marks Act, 1911.*  
 (Leave uncanceled.) EXTENSION OF COPYRIGHT IN DESIGN FOR THE THIRD PERIOD OF FIVE YEARS.

In accordance with your notice of the \_\_\_\_\_, the prescribed fee for the extension of the copyright in the Design No. \_\_\_\_\_ in Class \_\_\_\_\_, for a third period of five years is hereby lodged.

Dated this \_\_\_\_\_ day of \_\_\_\_\_, 19 \_\_\_\_.  
 To the Registrar, Patent Office, Wellington, New Zealand.  
 (N.B.—This form must be indorsed with the name and address of the person lodging the same.)

[Form No. 8.]  
 Stamp for same amount of fee as on application. *The Patents, Designs, and Trade-marks Act, 1911.*  
 (Leave uncanceled.) JOINT REQUEST BY REGISTERED PROPRIETOR AND ASSIGNEE OR MORTGAGEE OR LICENSEE, ETC., TO ENTER THE NAME OF ASSIGNEE, ETC., IN THE REGISTER OF DESIGNS.

WE, [Name of registered proprietor], of [Address of registered proprietor], and [Name of assignee, &c.], of [Address of assignee, &c.], hereby request that the name of [Name of assignee, &c.] carrying on business as [Trade or business of assignee, &c.], at [Business address of assignee, &c.], may be entered in the Register of Designs as proprietor [or mortgagee, or licensee, or as the case may be] of the Design No. \_\_\_\_\_ in Class \_\_\_\_\_.

Dated this \_\_\_\_\_ day of \_\_\_\_\_, 19 \_\_\_\_.  
 [Signature of registered proprietor.]  
 [Signature of assignee, &c.]  
 To the Registrar, Patent Office, Wellington, New Zealand.

[Form No. 9.]  
 Stamp for same amount of fee as on application. *The Patents, Designs, and Trade-marks Act, 1911.*  
 (Leave uncanceled.) REQUEST TO ENTER NAME OF SUBSEQUENT PROPRIETOR, OR OF MORTGAGEE, OR OF LICENSEE, ETC., OF DESIGN, IN THE REGISTER.

I [or WE] [Here insert name, address, and calling] hereby request that you will enter my [our] name[s] in the Register of Designs as proprietor [or mortgagee, or licensee, or as the case may be] of the Design No. \_\_\_\_\_ in Class \_\_\_\_\_.

I am [We are] entitled \_\_\_\_\_ to the said design.  
 Accompanying this request is a statement of my [our] case.

[Signature.]  
 Dated this \_\_\_\_\_ day of \_\_\_\_\_, 19 \_\_\_\_.  
 To the Registrar, Patent Office, Wellington, New Zealand.

[Form No. 10.]  
*The Patents, Designs, and Trade-marks Act, 1911.*

FORM OF DECLARATION (TO BE FURNISHED ONLY WHEN REQUESTED BY REGISTRAR) IN SUPPORT OF STATEMENT OF CASE ACCOMPANYING FORM NO. 9.

I, \_\_\_\_\_, of \_\_\_\_\_, do hereby solemnly and sincerely declare that the particulars set out in the statement of case, exhibit marked \_\_\_\_\_, and left by me in connection with my request to be registered as \_\_\_\_\_ of the Design No. \_\_\_\_\_ in Class \_\_\_\_\_, are true and comprise every material fact and document affecting the above claim.

And I make this solemn declaration conscientiously believing the same to be true, and by virtue of the Justices of the Peace Act, 1908.

[Signature of the person making the declaration.]  
 Declared at \_\_\_\_\_, this \_\_\_\_\_ day of \_\_\_\_\_, 19 \_\_\_\_,  
 before me—[Signature and title of the authority before whom the declaration is made].

To the Registrar, Patent Office, Wellington, New Zealand.

[Form No. 11.]  
 Stamp, 1s. *The Patents, Designs, and Trade-marks Act, 1911.*  
 (Leave uncanceled.) FORM OF APPLICATION UNDER RULE 38 TO VACATE ENTRY OF NAME OF MORTGAGEE OR LICENSEE IN REGISTER.

Design No. \_\_\_\_\_, Class \_\_\_\_\_.  
 Name of registered proprietor : \_\_\_\_\_  
 Place of business : \_\_\_\_\_  
 Description : \_\_\_\_\_

I, THE undersigned, \_\_\_\_\_, of \_\_\_\_\_ [or I, the undersigned, \_\_\_\_\_, a member of the firm of \_\_\_\_\_, of \_\_\_\_\_, on behalf of my said firm] apply that the entry of my [our] name in the Register of Designs as \_\_\_\_\_ of the Design No. \_\_\_\_\_ in Class \_\_\_\_\_ may be vacated.

[Signature.]  
 Dated this \_\_\_\_\_ day of \_\_\_\_\_, 19 \_\_\_\_.  
 To the Registrar, Patent Office, Wellington, New Zealand.

[Form No. 12.]  
 Stamp, 1s. *The Patents, Designs, and Trade-marks Act, 1911.*  
 (Leave uncanceled.) APPLICATION FOR ALTERATION OF ADDRESS OR ADDRESS FOR SERVICE, IN REGISTER OF DESIGNS.

Design No. \_\_\_\_\_, registered in Class \_\_\_\_\_.

I, \_\_\_\_\_, of \_\_\_\_\_, the registered proprietor of the design numbered as above, apply that my address [or my address for service] in the Register of Designs may be altered to \_\_\_\_\_.

Dated this \_\_\_\_\_ day of \_\_\_\_\_, 19 \_\_\_\_.  
 [Signature of Proprietor.]  
 To the Registrar, Patent Office, Wellington, New Zealand.

[Form No. 13.]  
 Stamp, 1s. *The Patents, Designs, and Trade-marks Act, 1911.*  
 (Leave uncanceled.) FORM OF REQUEST FOR CORRECTION OF CLERICAL ERROR IN AN APPLICATION TO REGISTER, OR FOR CORRECTION OF CLERICAL ERROR UNDER SECTION 108.

I HEREBY request that \_\_\_\_\_.

[Signature.]  
 [Address.]  
 Dated this \_\_\_\_\_ day of \_\_\_\_\_, 19 \_\_\_\_.  
 To the Registrar, Patent Office, Wellington, New Zealand.

[Form No. 14.]  
 Stamp, 1s. *The Patents, Designs, and Trade-marks Act, 1911.*  
 (Leave uncanceled.) FORM OF APPLICATION BY REGISTERED PROPRIETOR OF DESIGN TO CANCEL ENTRY IN REGISTER.

Design No. \_\_\_\_\_, Class \_\_\_\_\_.  
 Name of registered proprietor : \_\_\_\_\_  
 Place of business : \_\_\_\_\_  
 Description : \_\_\_\_\_

I, THE undersigned, \_\_\_\_\_, of \_\_\_\_\_ [or I, the undersigned, \_\_\_\_\_, a member of the firm of \_\_\_\_\_, of \_\_\_\_\_, on behalf of my said firm] apply that the entry in the Register of Designs of the Design No. \_\_\_\_\_ in Class \_\_\_\_\_ may be cancelled [or cancelled in respect of \_\_\_\_\_].

[Signature.]  
 Dated this \_\_\_\_\_ day of \_\_\_\_\_, 19 \_\_\_\_.  
 To the Registrar, Patent Office, Wellington, New Zealand.

[Form No. 15.

Stamp, 1s. (Leave uncancelled.)	<i>The Patents, Designs, and Trade-marks Act, 1911.</i> <b>REQUEST FOR SEARCH UNDER SECTION 56 WHEN REGISTRATION NUMBER IS SUPPLIED.</b>
------------------------------------	---

I HEREBY request that I may be given such information as I may be entitled to under section 56 of the Patents, Designs, and Trade-marks Act, 1911, with respect to the design registered under the No.

[Signature.]  
[Address.]

Dated this            day of            , 19 .

To the Registrar, Patent Office, Wellington, New Zealand.

[Form No. 16.

Stamp, 2s. 6d. (Leave uncancelled.)	<i>The Patents, Designs, and Trade-marks Act, 1911.</i> <b>REQUEST FOR SEARCH UNDER SECTION 56 WHEN REGISTRATION NUMBER IS NOT SUPPLIED.</b>
--	---

I HEREBY request that a search may be made in Class in respect of the design (particulars whereof are hereunto annexed) and that I may be given such information as I may be entitled to under section 56 of the Patents, Designs, and Trade-marks Act, 1911.

[Signature.]  
[Address.]

Dated this            day of            , 19 .

To the Registrar, Patent Office, Wellington, New Zealand.

[Form No. 17.

Stamp, 2s. 6d. (Leave uncancelled.)	<i>The Patents, Designs, and Trade-marks Act, 1911.</i> <b>REQUEST FOR SEARCH UNDER RULE 46.</b>
--	---

I HEREBY request that a search may be made in Class and that I may be informed whether the design (a drawing of which is hereto annexed) to be applied to            is or is not, in the Registrar's opinion, identical with or an obvious imitation of any registered design applied to such goods of which the copyright is still existing.

[Signature.]  
[Address.]

Dated this            day of            , 19 .

To the Registrar, Patent Office, Wellington, New Zealand.

[Form No. 18.

Stamp, 5s. (Leave uncancelled.)	<i>The Patents, Designs, and Trade-marks Act, 1911.</i> <b>REQUEST FOR CERTIFICATE.</b>
------------------------------------	--

Design No.            , registered in Class            in the name of            .

I,            , of            , the registered proprietor of the above design, hereby request you to furnish me with your certificate of

[Signature.]

Dated this            day of            , 19 .

To the Registrar, Patent Office, Wellington, New Zealand.

[Form No. 19.

Stamp, 5s. (Leave uncancelled.)	<i>The Patents, Designs, and Trade-marks Act, 1911.</i> <b>NOTICE OF INTENDED EXHIBITION OF AN UNREGISTERED DESIGN.</b>
------------------------------------	--

I [Name and address of applicant] hereby give notice of my intention to exhibit a            of            at the            Exhibition which opened [or is to open] on            , 19 , under the provisions of the Patents, Designs, and Trade-marks Act, 1911.

The design consists of [Insert brief description of design, with drawings if necessary].

I herewith enclose a

[Signature.]

Dated this            day of            , 19 .

To the Registrar, Patent Office, Wellington, New Zealand.

[Form No. 20.

Stamp, 5s. (Leave uncancelled.)	<i>The Patents, Designs, and Trade-marks Act, 1911.</i> <b>REQUEST FOR THE REGISTER TO BE ALTERED IN PURSUANCE OF AN ORDER OF THE COURT.</b>
------------------------------------	---

Design No.            in Class            .

I HEREBY request you to alter the entry in the Register of Designs in accordance with the terms of the order of the Supreme Court dated            , an office copy of which is sent herewith.

[Signature.]  
[Address.]

Dated this            day of            , 19 .

To the Registrar, Patent Office, Wellington, New Zealand.

THIRD SCHEDULE.

CLASSIFICATION OF GOODS.

*Class 1.*—Articles composed wholly of metal or in which metal predominates, not included in Class 2.

*Class 2.*—Jewellery.

*Class 3.*—Articles composed wholly of wood, bone, ivory, papier-maché or other solid substances not included in other classes, or of materials in which such substances predominate.

*Class 4.*—Articles composed wholly of glass, earthenware, or porcelain, bricks, tiles, or cement, or in which such materials predominate.

*Class 5.*—Articles composed wholly of paper (except paper-hangings), cardboard, millboard, or strawboard, or in which such materials predominate.

*Class 6.*—Articles composed wholly of leather or in which leather predominates, and bookbinding of all materials.

*Class 7.*—Paperhangings.

*Class 8.*—Carpets and rugs in all materials, floorcloths, and oilcloths.

*Class 9.*—Lace.

*Class 10.*—Hosiery.

*Class 11.*—Millinery and wearing-apparel, including boots and shoes.

*Class 12.*—Ornamental needlework on muslin or other textile fabrics.

*Class 13.*—Printed or woven designs on textile piece-goods (other than checks or stripes).

*Class 14.*—Printed or woven designs on handkerchiefs and shawls (other than checks or stripes).

*Class 15.*—Printed or woven designs (on textile piece-goods or on handkerchiefs or shawls) being checks or stripes.

*Class 16.*—Goods not included in other classes.

J. F. ANDREWS,  
Clerk of the Executive Council.

**Regulations under the Patents, Designs, and Trade-marks Act, 1911, relating to Trade-marks.**

ISLINGTON, Governor.

**ORDER IN COUNCIL.**

At the Government Buildings, at Wellington, this twenty-first day of May, 1912.

Present :

THE HONOURABLE T. MACKENZIE, F.R.G.S.,  
PRESIDING IN COUNCIL.

IN pursuance and exercise of the power and authority conferred upon him by section one hundred and twenty-three of the Patents, Designs, and Trade-marks Act, 1911 (hereinafter referred to as "the said Act"), and of all other powers enabling him in that behalf, His Excellency the Governor of the Dominion of New Zealand, acting by and with the advice and consent of the Executive Council of the said Dominion, doth hereby make the following regulations relating to trade-marks; and doth declare that this Order shall come into force on the first day of July, one thousand nine hundred and twelve.

**REGULATIONS.**

**INTERPRETATION.**

**1. In these regulations—**

- "Agent" means an agent duly authorized to the satisfaction of the Registrar:  
"Office" means the Patent Office:  
"Journal" means "Patent Office Journal."

**FEES.**

2. The fees to be paid in pursuance of the said Act, in so far as it relates to trade-marks, shall be the fees specified in the First Schedule to these regulations. All such fees must be paid in advance in stamps, which must be affixed uncanceled or undefaced in any way to the documents (if any) in respect of which the fees are payable.

**FORMS.**

3. The forms herein referred to are the forms contained in the Second Schedule to these regulations, and such forms, or forms to the like effect, shall be used in all cases to which they are applicable, and shall be modified as directed by the Registrar to meet other cases.

**CLASSIFICATION OF GOODS.**

4. For the purposes of trade-marks registration and of these regulations goods are classified in the manner appearing in the Third Schedule hereto.

If any doubt arises as to what class any particular description of goods belongs to, the doubt shall be determined by the Registrar.

**DOCUMENTS.**

5. Subject to any other directions that may be given by the Registrar, all applications, notices, counter-statements, papers having representations affixed, or other documents required by the said Act or by these regulations to be left with or sent to the Registrar, shall be upon foolscap paper of a size of approximately 13 inches by 8 inches, and shall have on the left-hand part thereof a margin of not less than 1½ inches

6. Any application, statement, notice, or other document authorized or required to be left, made, or given at the Office, or to or with the Registrar or any other person may be sent by prepaid letter through the post. Any document so sent shall be deemed to have been delivered at the time when the letter containing the same would be delivered in the ordinary course of post; and in proving such service or sending it shall be sufficient to prove that the letter was properly addressed and put into the post. A letter addressed to a registered proprietor of a trade-mark at his address as it appears on the register or address for service, or to any applicant for or person opposing the registration of a trade-mark at the address appearing in the application or notice of opposition or given for service as hereinafter provided shall be deemed to be sufficiently addressed. Any document required or authorized to be left at the office may be left at a local Patent Office. An application for the registration of a trade-mark shall be deemed to be dated as of the date of its delivery at the Patent Office or local Patent Office, as the case may be.

**ADDRESS FOR SERVICE.**

7. Every applicant for the registration of any trade-mark, and every opponent to such registration, and every agent, who does not reside or carry on business in New Zealand shall, if so required, give an address for service in New Zealand, and such address may be treated as the actual address of such applicant, opponent, or agent for all purposes connected with such application for registration or the opposition thereto.

**AGENTS.**

8. An application for registration and an opposition to registration, and all other communications between an applicant, an opponent, and the Registrar, and between the proprietor of a registered trade-mark and the Registrar, may be made by or through an agent duly authorized to the satisfaction of the Registrar and not being debarred from recognition on any of the grounds set out in the said Act or the regulations for the time being in force thereunder. If the proprietor of a registered trade-mark appoints such an agent, service upon the agent of any document relating to such trade-mark shall be deemed to be service upon the person so appointing him, and all communications directed to be made to such person in respect of such trade-mark may be addressed to such agent.

**REGISTRABLE TRADE-MARKS.**

9. The Registrar may refuse to accept any application upon which the following appear:—

- (a.) The words "Patent," "Patented," or "By Royal Letters Patent," "Registered," "Registered design," "Copyright," "Entered at Stationers' Hall," "To counterfeit this is forgery," or words to like effect.  
(b.) Representations of Their Majesties or of any member of the Royal Family.  
(c.) The device of the Geneva Red Cross, or of the words "Red Cross."

10. Representations of the Royal Arms or Royal crests, or arms or crests so nearly resembling them as to lead to mistake, or of British Royal crowns, or of the British national flags, or the word "Royal," or any other words, letters, or devices calculated to lead persons to think that the applicant has Royal patronage or authorization, may not appear on trade-

marks the registration of which is applied for: Provided always that nothing in this regulation shall preclude the Registrar from allowing the registration as an "old mark" (that is, as a mark which was used by the applicant or his predecessors in business before the 1st January, 1890) of any mark which was capable of being so registered before the Patents, Designs, and Trade-marks Act, 1911, came into operation.

11. Where representations of the arms of a foreign State or place appear on a mark the Registrar may call for such justification as he may deem necessary for their use.

12. Where a representation of the arms or emblems of any city, borough, town, place, society, body corporate, or institution appears on a mark, the applicant shall, if so required, furnish the Registrar with a consent from such official as the Registrar may consider entitled to give consent to the use of such arms or emblems.

13. Where the names or representations of living persons appear on a trade-mark, the Registrar shall, if he so requires, be furnished with consents from such persons before proceeding to register the mark. In the case of persons recently dead the Registrar may call for consents from their legal representatives before proceeding with registration of a trade-mark on which their names or representations appear.

14. Where the name or a description of any goods appears on a trade-mark the Registrar may refuse to register such mark in respect of any goods other than the goods so named or described.

Where the name or description of any goods appears on a trade-mark which name or description in use varies, the Registrar may permit the registration of the mark with the name or description upon it for goods other than those named or described, the applicant stating in his application that the name or description varies.

#### APPLICATION FOR REGISTRATION.

15. If application for registration of a trade-mark is made by a firm or partnership, it may be signed in the name or for and on behalf of the firm or partnership by any one or more members thereof.

If the application is made by a body corporate, it may be signed by a director or by the secretary or other principal officer of such body corporate.

Any application may be signed by an agent.

16. On or after receipt of the application the Registrar shall furnish the applicant with an acknowledgment thereof.

The Registrar may allow an application for a trade-mark, although not in accordance with the said Act and these regulations, to be left on such terms and conditions as he thinks fit, and in any such case shall require the applicant to comply with the requirements of these regulations within a time to be specified by him in that behalf. No further action need be taken by the Registrar in respect of that application until the prescribed requirements are complied with.

17. Where application is made to register a trade-mark which was used by the applicant or his predecessors in business before the 1st January, 1890, the application shall contain a statement of the time during which and by whom it has been used in respect of the goods mentioned in the application. The Registrar may require a statutory declaration verifying such user, with exhibits showing the mark as used.

18. Every application for registration of a trade-mark shall contain a representation of the mark affixed to the application, and shall be accompanied by four additional representations of the mark. Where the representations are of such size that they require to be folded they shall be mounted on linen or tracing-cloth.

19. The Registrar, if dissatisfied with any representation of a mark, may at any time require another representation satisfactory to him to be substituted before proceeding with the application.

20. Where a drawing or other representation or specimen cannot be given in manner aforesaid, a specimen or copy of the trade-mark may be sent either of full size or on a reduced scale, and in such form as the Registrar thinks most convenient.

The Registrar may also, in exceptional cases, deposit in the Office a specimen or copy of any trade-mark which cannot conveniently be shown by a representation, and may refer thereto in the register in such manner as he thinks fit.

21. When application is made for the registration of a series of trade-marks under section 81 of the said Act, a representation of each trade-mark of the series shall be affixed, as aforesaid, to the application.

22. When a trade-mark contains a word or words in other than roman characters, there shall be indorsed on the application a sufficient transliteration and translation to the satisfaction of the Registrar of each of such words, and every such indorsement shall be signed by the applicant or his agent.

Where a trade-mark contains a word or words in a language other than English, the Registrar may ask for an exact translation thereof, and, if he so requires, such translation shall be indorsed and signed as aforesaid.

#### PROCEDURE ON RECEIPT OF APPLICATION.

23. Upon receipt of an application for registration the Registrar shall cause a search to be made amongst the registered marks and pending applications for the purpose of ascertaining whether there are on record any marks for the same goods or description of goods identical with the mark applied for, or so nearly resembling it as to be calculated to deceive.

24. If after such search and a consideration of the application the Registrar thinks there is no objection to the mark being registered, he may accept it absolutely, or subject to conditions, amendments, and modifications which he shall communicate to the applicant in writing.

25. If after such search and consideration of the application any objections appear, a statement of those objections shall be sent to the applicant in writing, and unless, within such time as may be allowed, he takes steps to meet such objections, he shall be deemed to have withdrawn his application.

26. If the Registrar accepts an application subject to any conditions, amendments, or modifications, and the applicant objects to such conditions, amendments, or modifications, he shall, within such time as may be allowed, communicate his objections to the Registrar either personally or by letter; and if he does not do so he shall be deemed to have withdrawn his application. If the applicant does not object to such conditions, amendments, or modifications he shall forthwith notify the Registrar in writing.

27. The decision of the Registrar with respect to such objections as aforesaid shall be communicated to the applicant in writing, and if he objects to such

decision he may, within such time as may be allowed, require the Registrar to state in writing the grounds of his decision and the materials used by him in arriving at the same.

Upon receipt of such request the Registrar shall send to the applicant such statement as aforesaid in writing, and the date when such statement is sent shall be deemed to be the date of the Registrar's decision for the purpose of appeal.

28. The Registrar may call on an applicant to insert in his application such disclaimer as the Registrar may think fit, in order that the public generally may understand what the applicant's rights, if his mark is registered, will be.

#### SPECIAL APPLICATIONS UNDER SUBSECTION 1 (e) OF SECTION 64.

29. An application to register a name, signature, or word or words under subsection 1 (e) of section 64 of the said Act shall be made on the form No. 2, and not otherwise.

30. Upon receipt of such an application the Registrar shall cause a search to be made amongst the registered marks and pending applications for the purpose of ascertaining whether there are on record any marks for the same goods or description of goods identical with the mark applied for, or so nearly resembling it as to be calculated to deceive.

31. If after such search the Registrar thinks there are no such marks, he shall notify the applicant accordingly; but if after such search any such marks appear, he shall notify to the applicant the numbers of those marks and the *Gazette* or journal (if any) in which they have been advertised.

32. Within one month from the receipt of such notification the applicant shall send to the Registrar in writing a case, in duplicate, stating at length the grounds upon which he relies in support of his application. If he fails to do so his application shall be deemed to be withdrawn.

33. Within one month from sending to the Registrar his case as aforesaid the applicant shall bring the matter before the Court by motion, and if he does not do so he shall be deemed to have withdrawn his application.

34. If the application is accepted by the Court it shall be advertised, and proceedings thereafter shall be had in respect of it as if it had been accepted by the Registrar in the ordinary course.

#### ADVERTISEMENT OF APPLICATION.

35. Every application when accepted shall be advertised by the Registrar in the *Journal* during such times and in such manner as the Registrar directs.

If no representation of the trade-mark is inserted in connection with the advertisement of an application, the Registrar shall refer in such advertisement to the place or places where a specimen or representation of the trade-mark is deposited for exhibition.

36. For the purposes of such advertisement the applicant may be required to furnish a wood block or electrotype (or more than one, if necessary) of the trade-mark, of such dimensions as may from time to time be directed by the Registrar, or such other information or means of advertising the trade-mark as may be required by the Registrar; and the Registrar, if dissatisfied with the block or electrotype furnished by the applicant or his agent, may require a fresh block or electrotype before proceeding with the advertisement.

37. When an application relates to a series of trade-marks differing from one another in respect of the particulars mentioned in section 81 of the said Act

the applicant may be required to furnish a wood block or electrotype (or more than one, if necessary) of any or of each of the trade-marks constituting the series; or the Registrar may, if he thinks fit, insert with the advertisement of the application a statement of the manner in respect of which the several trade-marks differ from one another.

38. Advertisements under section 69 (9) of the said Act shall, *mutatis mutandis*, be made in the same manner as advertisements relating to an application for registration.

#### OPPOSITION TO REGISTRATION.

39. Any person may within two months from the date of any advertisement in the *Journal* of an application for registration of a trade-mark give notice in writing at the Office of opposition to the registration.

40. Such notice shall be in the form No. 4, and shall contain a statement of the grounds upon which the opponent objects to the registration. If registration is opposed on the ground that the mark resembles marks already on the register, the numbers of such marks and the numbers of the *Gazettes* or *Journals* in which they have been advertised shall be set out. Such notice shall be accompanied by a duplicate which the Registrar shall forthwith send to the applicant.

41. Within two months from the receipt of such duplicate the applicant shall send to the Registrar a counterstatement in the form No. 5 setting out the grounds on which he relies as supporting his application. The applicant shall also set out what facts, if any, alleged in the notice of opposition he admits. Such counterstatement shall be accompanied by a duplicate in writing.

42. Upon receipt of such counterstatement and duplicate the Registrar will forthwith send the duplicate to the opponent, and within one month from the receipt of the duplicate the opponent shall leave at the Office such evidence by way of statutory declaration as he may desire to adduce in support of his opposition, and shall deliver to the applicant copies thereof.

43. If an opponent leaves no evidence he shall be deemed to have abandoned his opposition, but if he does, then within one month from the receipt of the copies of declarations the applicant shall leave at the Office such evidence by way of statutory declaration as he desires to adduce in support of his application, and shall deliver to the opponent copies thereof.

44. Within fourteen days from the receipt by the opponent of the copies of the applicant's declarations the opponent may leave at the Office evidence by statutory declaration in reply, and shall deliver to the applicant copies thereof. Such evidence shall be confined to matters strictly in reply.

45. In any proceedings before the Registrar he may at any time, if he thinks fit, give leave to either the applicant or the opponent to file any evidence upon such terms as to costs or otherwise as the Registrar may think fit.

46. Where there are exhibits to declarations filed in an opposition, copies or impressions of such exhibits shall be sent to the other party on his request; or, if such copies or impressions cannot conveniently be furnished, the originals shall be sent to the Office, so that they may be open to inspection. The original exhibits shall be produced at the hearing, unless the Registrar otherwise directs.

47. (1.) Upon completion of the evidence the Registrar shall give notice to the parties of a date when he

will hear the arguments in the case. Such appointment shall be for a date at least three weeks after the date of the notice, unless the parties consent to a shorter notice. Within seven days from the receipt of such notice both parties shall file an application in the form No. 6. A party who receives such notice and who does not, within seven days from the receipt thereof, give notice on the said form No. 6 that he intends to appear may be treated as not desiring to be heard, and the Registrar may act accordingly.

(2.) The hearing shall be in Wellington, except where the parties intimate to the Registrar, at least fourteen days before the time appointed for the hearing, that it is their desire that it shall be held elsewhere in New Zealand. On receipt of such intimation, and on payment of such sum to cover expenses as he thinks fit, the Registrar may, in his discretion, hear the case at such other place in New Zealand as the parties thereto may mutually desire.

48. Where in opposition proceedings any extension of time is granted to any party, the Registrar may thereafter, if he thinks fit, without giving the said party a hearing, grant any reasonable extension of time to the other party in which to take any subsequent step.

49. Where a party giving notice of opposition neither resides nor carries on business in New Zealand, the Registrar may call upon him to give a security, in such form as the Registrar may deem sufficient, for the costs of the proceedings before the Registrar, for such amount as the Registrar thinks fit, and at any stage in such opposition may require further security to be given at any time before giving his decision in the case.

#### NON-COMPLETION.

50. Where registration of a trade-mark is not completed within twelve months from the date of the application by reason of default on the part of the applicant, the Registrar shall give notice to the applicant in writing of such non-completion, and, if the applicant has an agent, shall send a duplicate of such notice to such agent. If after fourteen days from the date when such notice was sent the registration is not completed, the application shall be deemed to be abandoned, but the Registrar may with such notice, where the applicant lives at a distance, give a further time after such fourteen days for the completion of such application.

#### ENTRY ON THE REGISTER.

51. As soon as may be after the expiration of two months from the date of the advertisement in the Journal of any application, the Registrar shall, subject to any opposition and the determination thereof, and upon payment of the prescribed fee, enter the trade-mark on the register. The entry of a trade-mark on the register shall give the date of the registration, the goods in respect of which it is registered, and all particulars named in section 61 of the said Act, together with particulars of the trade, business, profession, or occupation, if any, of the proprietor, and such other particulars as the Registrar may deem necessary.

52. Where a mark is registered as associated with any other mark or marks the Registrar shall note upon the register in connection with such mark the numbers of the marks with which it is associated, and shall also note upon the register in connection with each of the associated marks the number of the newly registered mark as being an associated mark with each of them.

53. In case of the death of any applicant for a trade-mark after the date of his application, and before the trade-mark applied for has been entered on the register, the Registrar, after the expiration of the prescribed period of advertisement, may, on being satisfied of the applicant's death, enter on the register, in place of the name of such deceased applicant, the name, address, and description of the person owning the goodwill of the business, on such ownership being proved to the satisfaction of the Registrar.

54. Upon the registration of a trade-mark the Registrar shall issue to the applicant a certificate in the form No. 9.

#### RENEWAL.

55. At any time not less than four months and not more than six months before the expiration of the last registration of a trade-mark any person may leave at the Office a fee for the renewal of the registration of the mark upon the form No. 10. Such person shall indorse upon such form his name and address, and before taking any further step the Registrar may require such person to furnish, within such time as he may allow, an authority to pay such fee signed by the registered proprietor, and, if such person does not furnish such authority, may return such fee and treat it as not received.

56. When he does not require such authority the Registrar shall, upon receipt of such fee, communicate with the registered proprietor at his registered address, stating that the fee has been received and that the registration will in due course be renewed.

57. At a date not less than three months and not more than four months before the expiration of the last registration of a mark, if no renewal fee has been received as aforesaid, the Registrar shall send to the registered proprietor at his registered address a notice in the form No. 11.

58. At a time not less than fourteen days and not more than twenty-eight days before the expiration of the last registration of a mark, the Registrar shall, if no renewal fee has been received, send a notice to the registered proprietor at his registered address in the form No. 12.

59. If at the date of the expiration of the last registration of a mark the renewal fee has not been paid, the Registrar shall advertise the fact forthwith in the Journal, and if within one month of such advertisement the renewal fee, together with an additional fee of 10s., is received, he may renew the registration without removing the mark from the register.

60. Where after one month from such advertisement such fees have not been paid, the Registrar may remove the mark from the register as of the date of the expiration of the last registration; but may upon payment of the renewal fee, together with an additional fee of £1, restore the mark to the register if satisfied that it is just so to do, and upon such conditions as he may think fit to impose.

61. Where a trade-mark has been removed from the register the Registrar shall cause to be entered in the register a record of such removal and of the cause thereof.

62. Upon the renewal of a registration a notice to that effect shall be sent to the registered proprietor at his registered address, and the renewal shall be advertised in the Journal.

#### ASSIGNMENT.

63. The Registrar may, on request made jointly by a registered proprietor of a mark and the person to whom he has assigned such mark, together with the goodwill of the business concerned in the



goods for which it has been registered, register the assignee as proprietor of the mark. Such application shall be in the form No. 14. If the Registrar so requires, the assignee shall furnish a declaration in the form No. 15.

64. Where no such joint request is made, any person who has become entitled to a registered trade-mark by assignment, transmission, or other operation of law may leave a request at the Office for the entry of his name in the register as proprietor of such trade-mark. The request shall be on the form No. 16, and such request shall contain the name, address, and description of the person claiming to be entitled to the trade-mark (hereinafter called "the claimant").

65. Together with such request the claimant shall leave a case stating full particulars of the assignment, transmission, or other operation of law by virtue of which he claims to be entitled to be entered in the register as proprietor of the trade-mark, so as to show the manner in which and the person or persons to whom the trade-mark has been assigned or transmitted, and so as to show further that it has been so assigned or transmitted in connection with the goodwill of the business concerned in the goods for which the trade-mark has been registered.

66. Such request shall in the case of an individual be made and signed by the claimant, and in the case of a firm or partnership by one or more members of such firm or partnership, and in the case of a body corporate shall be signed by a director or by the secretary or other principal officer of such body corporate.

67. If the Registrar determines that the case sets out particulars such as entitle the claimant to be registered as proprietor of such trade-mark, he shall call upon the claimant to furnish a statutory declaration in the form No. 17, verifying the several statements in the case and declaring that the particulars given comprise every material fact and document affecting the proprietorship of the trade-mark claimed by such request.

68. In any case the Registrar may call on any person who desires to be registered as proprietor of a trade-mark for such proof or additional proof of title and of the existence and ownership of such goodwill as aforesaid as the Registrar may require for his satisfaction.

#### ALTERATION OF ADDRESS.

69. Every registered proprietor of a trade-mark who alters his address shall forthwith apply to the Registrar on the form No. 18 to insert the new address on the register, and the Registrar shall alter the register accordingly.

#### DISCRETIONARY POWER.

70. Before exercising any discretionary power given to the Registrar by the said Act adversely to any person, the Registrar shall, if so required, hear the person who will be affected by the exercise of such power.

71. An application for a hearing shall be made within one month from the date when the matter on which the Registrar is called on to exercise discretionary power has arisen.

72. Upon receiving such application the Registrar shall give the person applying ten days' notice of a time when he may be heard by himself or his agent.

Within five days from the date when such notice would be delivered in the ordinary course of post the person applying shall notify the Registrar whether or not he intends to be heard on the matter.

73. The decision of the Registrar in the exercise of any such discretionary power as aforesaid shall be notified to the person affected.

#### APPLICATIONS UNDER SECTION 78.

74. All applications to the Registrar under section 78 of the said Act for an apportionment of registered trade-marks shall be on the form No. 19. Such application shall be accompanied by a case setting out fully the facts relating to the marks which the Registrar is requested to permit an apportionment of.

75. Upon receipt of such request and of such case the Registrar shall inquire into the facts and call for such evidence as he may deem necessary upon the subject of such application. Before giving his decision the Registrar shall, if necessary, give the parties an opportunity of attending before him at a hearing either by themselves or by their agents. The decision of the Registrar shall be in writing.

76. Upon any apportionment of marks under the said section the Registrar shall insert in the register a note in connection with each of the registered trade-marks of the fact of such apportionment, and shall in such note refer to the date of the decision under which such apportionment has taken place.

#### APPLICATIONS UNDER SECTION 108.

77. Applications to the Registrar under section 108 of the said Act (in so far as it relates to trade-marks), may be made by the registered proprietor, or by the trustee in bankruptcy of the registered proprietor, or, where the registered proprietor is a company in liquidation, by the liquidator, and in other cases by such person as the Registrar may decide to be entitled to act in the name of the registered proprietor.

78. Where such application is made the Registrar may require such evidence by statutory declaration or otherwise as he thinks fit as to the circumstances in which the application is made.

79. Where application is made, on the form No. 24, to enter a disclaimer or memorandum relating to a trade-mark, the Registrar, before deciding upon such application, shall advertise the application in the Journal for one month in order to enable any person desiring so to do to state any reasons in writing against the applicant being allowed to make such disclaimer or enter such memorandum.

#### APPLICATIONS UNDER SECTION 88.

80. Where a person desires to apply under section 88 of the said Act to alter a trade-mark, he shall make his application in writing on the form No. 25, and shall furnish the Registrar with four copies of the mark as it will appear when altered.

81. Before proceeding with such application the Registrar may call on the applicant to furnish a block suitable to advertise in the Journal the fact that such application has been made, or, if he thinks fit, the Registrar, without calling for a block, may insert an advertisement describing the alteration proposed in words so that it can be understood by persons interested in the matter.

Where leave is granted the Registrar may, if he is not already in possession of a block showing the trade-mark as altered, cause the applicant to furnish a block showing the trade-mark as altered for advertisement in the Journal, and upon receipt of such block shall forthwith advertise the mark as altered in the Journal.

## SEARCH.

82. The Registrar, if requested so to do in writing upon the form No. 26, may cause a search to be made in any class to ascertain whether any marks are on record at the date of such search which may resemble any mark sent in duplicate to him by the person requesting such search, and may cause that person to be informed of the result of such search.

## HOURS OF INSPECTION.

83. The Office shall be open to the public every week-day, except Saturday, between the hours of 10 a.m. and 1 p.m., and from 2 p.m. till 4 p.m., and on Saturday between the hours of 10 a.m. and noon, except on the days following:—

The days from Good Friday to Easter Tuesday, both inclusive; the days from Christmas Eve to the 3rd January, both inclusive; the birthday of the reigning Sovereign; the birthday of His Royal Highness the Prince of Wales; and all other days observed by the Government as public holidays.

## POWER TO DISPENSE WITH EVIDENCE.

84. Where under these regulations any person is required to do any act or thing, or to sign any document, or to make any declaration on behalf of himself or of any body corporate, or any document or evidence is required to be produced to or left with the Registrar, or at the Office, and it is shown to the satisfaction of the Registrar that from any reasonable cause such person is unable to do such act or thing, or to sign such document, or make such declaration, or that such document or evidence cannot be produced or left as aforesaid, it shall be lawful for the Registrar, upon the production of such other evidence and subject to such terms as he may think fit, to dispense with any such act or thing, document, declaration, or evidence.

## AMENDMENTS.

85. Any document or drawing or other representation of a trade-mark may be amended, and any irregularity in procedure which in the opinion of the Registrar may be obviated without detriment to the interests of any person may be corrected, if the Registrar thinks fit, and on such terms as he may direct.

## ENLARGEMENT OF TIME.

86. (1.) The time prescribed by these regulations for doing any act, or taking any proceeding thereunder, may be enlarged by the Registrar if he thinks fit, upon such notice to parties and upon such terms as he may direct, and such enlargement may be granted though the time has expired for doing such act or taking such proceeding.

(2.) Any fee payable or any document required to be lodged in pursuance of these regulations shall be deemed to be paid or lodged within the prescribed time if it is paid or lodged at a local Patent Office, and the Registrar has within such time received notice by telegraph or otherwise of such payment or lodgment.

87. Whenever the last day fixed by the said Act or by these regulations for leaving any document or paying any fee at the Office falls on a Saturday or Sunday, or any day on which the Office or local Patent Office is not open to the public, as provided in Regulation 83 hereof (herein referred to as "excluded days"), it shall be lawful to leave such document or to pay such fee on the day next following such excluded day, or days if two or more of them occur consecutively.

88. Where a time for paying a fee is limited by these regulations, and the person who is bound to pay such fee resides at such distance from the Office that he cannot reasonably be expected to pay the fee on the date limited by the regulation, the Registrar, if satisfied that the omission to pay the fee has not been from any want of diligence on the part of the person whose business it is to pay it, may accept the fee even though the date for paying the fee has passed, and treat it as if received on the correct date, provided always that the fee is actually paid with such promptitude as can be expected in the circumstances.

## CERTIFICATES.

89. The Registrar, when required, otherwise than under section 72 of the said Act, to give a certificate as to any entry, matter, or thing which he is authorized by the said Act or any of these regulations to make or do, may, on receipt of a request in writing, and on payment of the prescribed fee, give such certificate; but every certificate of registration so given shall have specified on the face thereof, whether the same is to be used in legal proceedings, or for the purpose of obtaining registration abroad, or for purposes other than use in legal proceedings or obtaining registration abroad.

90. Where a mark is registered without limitation of colour it shall be lawful for the Registrar to grant a certificate of its registration for the purpose of obtaining registration abroad either in the colour in which it appears upon the register or in any other colour or colours.

91. Where a certificate of registration is desired for use in obtaining registration abroad, the Registrar shall affix to the said certificate a copy of the mark, and shall state in such certificate such particulars concerning the registration of the mark as he thinks fit, and may omit therefrom reference to any disclaimers appearing on the register.

## STATUTORY DECLARATIONS.

92. (1.) The statutory declarations required by these regulations, or used in any proceedings thereunder, shall be headed in the matter or matters to which they relate, and shall be drawn up in the first person, and shall be divided into paragraphs consecutively numbered, and each paragraph shall so far as possible be confined to one subject. Every statutory declaration shall state the description and true place of abode of the person making the same, and shall bear the name and address of the person leaving it, and shall state on whose behalf it is left.

(2.) Such statutory declarations shall be made and subscribed as follows:—

- (a.) In New Zealand, in the manner prescribed by the Justices of the Peace Act, 1908;
- (b.) In the United Kingdom, before any Justice of the Peace, or any Commissioner or other officer authorized by law in any part of the United Kingdom to administer an oath for the purpose of any legal proceeding;
- (c.) In any other part of His Majesty's dominions, before any Court, Judge, Justice of the Peace, or any officer authorized by law to administer an oath there for the purpose of a legal proceeding; and
- (d.) If made out of His Majesty's dominions, before a British Minister, or person exercising the functions of a British Minister, or a Consul, Vice-Consul, or other person exercising the functions of a British Consul, or a Notary Public, or before a Judge or Magistrate.

93. Any document purporting to have affixed, impressed, or subscribed thereto or thereon the seal or signature of any person hereby authorized to take such declaration, in testimony of such declaration having been made and subscribed before him, may be admitted by the Registrar without proof of the genuineness of any such seal or signature, or of the official character of such person or his authority to take such declaration.

APPLICATIONS TO AND ORDERS OF THE COURT.

94. Where an order has been made by the Court in any case under the said Act, the person in whose favour such order has been made, or such one of them, if more than one, as the Registrar may direct, shall forthwith leave at the Office an office copy of such order, together with the form No. 27 if required. The register may, if necessary, thereupon be rectified or altered by the Registrar.

Every application to the Court under the said Act shall be served on the Registrar.

95. Whenever an order is made by the Court under the said Act the Registrar may, if he thinks that such order should be made public, publish it in the Journal.

CONVENTION APPLICATIONS.

96. Every application for the registration of a trade-mark under section 129 of the said Act (hereinafter referred to as a convention application) shall contain a declaration that foreign application has been made for the protection of the trade-mark to which the convention application relates, and shall specify the country or countries in which such foreign applications have been made, and the official date or dates of those applications respectively.

A copy of the said trade-mark, duly certified by the official chief or head of the Patent Office in the country in which the first foreign application was made, or otherwise verified to the satisfaction of the Registrar, must be left at the Office at the same time as the application, or within such further time thereafter as the Registrar may allow.

REGULATIONS REVOKED.

97. The regulations relating to trade-marks in force under the Patents, Designs, and Trade-marks Act, 1908, at the commencement of these regulations are hereby revoked.

FIRST SCHEDULE.  
FEES.

	£ s. d.	Form to which Stamp to be affixed.
On application not otherwise charged to register a trade-mark, for one or more articles included in one class	0 10 0	On application—Form 1 or 2.
On application not otherwise charged to register a series of trade-marks, for one or more articles included in one class	0 10 0	On application—Form 1 or 2.
On notice of opposition, for each application opposed, by opponent	1 0 0	On notice—Form 4.

	£ s. d.	Form to which Stamp to be affixed.
On the hearing of each opposition, by applicant and by opponent respectively	1 0 0	On application for hearing—Form 6.
For registration of a trade-mark, for one or more articles included in one class	1 0 0	On form transmitting fee—Form 8.
For registration of a series of marks, for one or more articles included in one class— For the first mark ..	1 0 0	On form transmitting fee—Form 8.
And for every other mark of the series	0 5 0	
Upon each entry in the register of a mark of a note that the mark is associated with a newly registered mark	0 1 0	
On application to register a subsequent proprietor in cases of assignment or transmission of a single mark	1 0 0	On application—Form 14 or 16.
On application to register a subsequent proprietor of more than one mark standing in the same name, the devolution of title being identical in each case— For the first mark ..	1 0 0	On application—Form 14 or 16.
And for every other mark	0 2 0	
On application to change the name of a proprietor of a single mark where there has been no alteration in the proprietorship	0 5 0	On application—Form 21.
On application to change the name of a proprietor of more than one mark standing in the same name, the change being the same in each case— For the first mark ..	0 5 0	On application—Form 21.
And for every other mark ..	0 1 0	
For renewal of registration of a mark at expiration of last registration	1 0 0	On letter transmitting fee—Form 10.
For renewal of registration of a series of marks at the expiration of last registration— For the first mark of the series	1 0 0	On letter transmitting fee—Form 10.
And for every other mark of the series	0 2 0	
Additional fee under Rule 59 ..	0 10 0	On letter transmitting fee.
Additional fee under Rule 60 ..	1 0 0	On letter transmitting fee—Form 13.
For altering a single entry of the address of a registered proprietor	0 5 0	On application—Form 18.
For altering more than one entry of the address of a registered proprietor where the address in each case is the same and is altered in the same way— For the first entry ..	0 5 0	On application—Form 18.
And for every other entry ..	0 1 0	
For every entry in the register of a rectification thereof or an alteration therein, not otherwise charged	0 10 0	On notice—Form 27.
For cancelling the entry or part of the entry of a trade-mark upon the register on the application of the owner of such trade-mark	0 5 0	On application—Form 22 or 23.
On request, not otherwise charged, under section 67 (6) or under section 108	0 5 0	On request—Form 20 or 24.
For a search under Regulation 82	0 2 6	On request—Form 26.

	£ s. d.	Form to which Stamp to be affixed.
For certificate of Registrar ..	0 5 0	On application—Form 28.
On appeal to the Court from any decision of the Registrar	1 0 0	On notice of appeal left at Office.
On an application to the Registrar under section 78	5 0 0	On application—Form 19.
On an application to the Registrar for leave to add to or alter a single mark	1 0 0	On application—Form 25.
On an application to the Registrar for leave to add to or alter more than one mark of the same proprietor, the addition or alteration to be made in each case being the same— For the first mark ..	1 0 0	On application—Form 25.
And for every other mark	0 10 0	
For inspecting register or file in connection with any particular trade-mark	0 1 0	
For making a search amongst the classified representations of trade-marks, for every quarter of an hour	0 1 0	
For office copy of documents for every 72 words (but never less than 1s.)	0 0 3	On request.
In cases where the wood block or electrotype of the trade-mark exceeds 2 inches in breadth or depth, or in breadth and depth— For every inch or part of an inch over 2 inches in breadth—	0 2 0	On application—Form 1 or 2.
For every inch or part of an inch over 2 inches in depth	0 2 0	On application—Form 1 or 2.
On application for extension of time, for each month or part thereof	0 5 0	On application for extension.

SECOND SCHEDULE.

[Form No. 1.

Stamp, 10s.  
(Leave uncancelled.)

*The Patents, Designs, and Trade-marks Act, 1911.*

APPLICATION FOR REGISTRATION OF TRADE-MARK.

[One representation to be fixed within a square, and to be accompanied by four additional representations. Representations of a larger size may be folded, but must then be mounted upon linen and affixed hereto.]

APPLICATION is hereby made for registration of the accompanying trade-mark in Class , in respect of [Only goods contained in one and the same class should be set out here. A separate application form is required for each separate class] in the name of [Here insert legibly the full name, address, and description of the individual, firm, or company. Add trading style (if any)], of [Address and description], trading as , who claim[s] to be the proprietor[s] thereof.

I [or We] do not claim the registration of this trade-mark under the special provisions of paragraph (e) of section 64 of the Patents, Designs, and Trade-marks Act, 1911, in regard to names, signatures, or words.

[Signature.]

Dated the day of , 19 .  
To the Registrar, Patent Office, Wellington, New Zealand.

[Form No. 2.

Stamp, 10s.  
(Leave uncancelled.)

*The Patents, Designs, and Trade-marks Act, 1911.*

SPECIAL APPLICATION FOR REGISTRATION OF TRADE-MARK UNDER SUBSECTION 1 (e), SECTION 64.

[One representation to be fixed within a square, and to be accompanied by four additional representations.]

APPLICATION is hereby made for registration of the accompanying trade-mark in Class , in respect of [Only goods

contained in one and the same class should be set out here. A separate application form is required for each separate class] in the name of [Here insert legibly the full name, address, and description of the individual, firm, or company. Add trading style (if any)], of [Address and description], trading as , who claim[s] to be the proprietor[s] thereof and desire[s] an order of the Court directing registration of the same.

[Signature.]

Dated the day of , 19 .  
To the Registrar, Patent Office, Wellington, New Zealand.

[Form No. 3.

*The Patents, Designs, and Trade-marks Act, 1911.*

FORM OF AUTHORIZATION.

I, , of , hereby appoint , of , to act as my agent for

[Signature.]

Dated the day of , 19 .  
To the Registrar, Patent Office, Wellington, New Zealand.

[Form No. 4.

*The Patents, Designs, and Trade-marks Act, 1911.*

Stamp, £1.  
(Leave uncancelled.)

NOTICE OF OPPOSITION TO APPLICATION FOR REGISTRATION.

[To be accompanied by an unstamped duplicate.]

In the matter of an application, No. , by , of

I, [Here state full name and address], hereby give notice of my intention to oppose the registration of the trade-mark advertised under the above number for Class in the Patent Office Journal of the day of , 19 , No. page

The grounds of opposition are as follows:—

[Signature.]

Dated the day of , 19 .  
Address for service :  
To the Registrar, Patent Office, Wellington, New Zealand.

[Form No. 5.

*The Patents, Designs, and Trade-marks Act, 1911.*

FORM OF COUNTER-STATEMENT.

[To be accompanied by a duplicate.]

In the matter of an opposition, No. , to application No.

I, , the applicant for the above trade-mark, hereby give notice that the following are the grounds on which I rely as supporting my application:—

I admit the following allegations in the notice of opposition:—

[Signature.]

Dated this day of , 19 .  
To the Registrar, Patent Office, Wellington, New Zealand.

[Form No. 6.

Stamp, £1.  
(Leave uncancelled.)

*The Patents, Designs, and Trade-marks Act, 1911.*

FORM OF APPLICATION FOR HEARING BY THE REGISTRAR IN CASES OF OPPOSITION.

SIR,—  
In reply to your notice dated the , giving of , a date on which you will hear the arguments in the case of opposition No. to Application No. , I beg to say that I intend to appear before you on the date you have fixed—namely, the day of , 19 .

[Signature.]

To the Registrar, Patent Office, Wellington, New Zealand.

[Form No. 7.]

*The Patents, Designs, and Trade-marks Act, 1911.*

NOTICE OF NON-COMPLETION OF REGISTRATION.

No.

THE Registrar has to call your attention to section 73 of the above-mentioned Act, and to Regulation No. 50 of the regulations relating to trade-marks, in force thereunder. The section and the regulation are printed on the back hereof.

Your application numbered as above was made on the day of , 19 . Registration has not been completed by reason of your default. Unless it is completed within days from this date the application will be treated as abandoned.

Dated this day of , 19 .

To

The Patent Office, Wellington, New Zealand.

[Form No. 8.]

Stamp, £1.\*  
(Leave uncancelled.)

*The Patents, Designs, and Trade-marks Act, 1911.*

FEE FOR REGISTRATION OF A TRADE-MARK.

SIR,—

In reply to your request, I hereby transmit the prescribed fee for the registration of the Trade-mark No. in Class .

Dated the day of , 19 .

To the Registrar, Patent Office, Wellington, New Zealand.

\* If series of marks attach stamps to value of £1 for first and 5s. for each other mark of series.

[Form No. 9.]

*The Patents, Designs, and Trade-marks Act, 1911.*

CERTIFICATE OF REGISTRATION UNDER SECTION 72.

To

I HEREBY certify, pursuant to section 72 of the above-mentioned Act, and to Regulation No. 54 of the regulations relating to trade-marks in force thereunder, that the trade-mark in your application No. was duly advertised in the Patent Office Journal,\* No. , of , as set out herein, and has been registered in your name in Class , in respect of the goods specified by you as of the date and under the number of the application.

Witness my hand this day of , 19 .

[Seal of Patent Office.] , Registrar.

The Patent Office, Wellington, New Zealand.

\* Insert instead "Patent Supplement to the *New Zealand Gazette*," where advertisement has appeared in such supplement.

[Form No. 10.]

Stamp, £1.\*  
(Leave uncancelled.)

*The Patents, Designs, and Trade-marks Act, 1911.*

RENEWAL OF REGISTRATION BEFORE NOTICE GIVEN.

I HEREBY transmit the prescribed fee of for the renewal of the registration of the Trade-mark No. , in Class

Dated the day of , 19 .

[Signature.]

To the Registrar, Patent Office, Wellington, New Zealand.

N.B.—This form must be indorsed with the name and address of the person leaving the same.

\* If a series attach £1 for first and 2s. for each other mark of series.

[Form No. 11.]

*The Patents, Designs, and Trade-marks Act, 1911.*

FIRST NOTICE BEFORE REMOVAL OF TRADE-MARK FROM THE REGISTER, UNDER SECTION 85.

THE Registrar hereby gives you notice that in conformity with the provisions of section 85 of the above-mentioned Act (printed at back hereof), your Trade-mark No. , registered in Class , will be removed from the Trade-marks Register, unless the prescribed fee of is received at this Office before the day of , 19 , on which date the existing registration will expire.

Dated this day of , 19 .

To

The Patent Office, Wellington, New Zealand.

[Form No. 12.]

*The Patents, Designs, and Trade-marks Act, 1911.*

SECOND NOTICE BEFORE REMOVAL OF TRADE-MARK FROM THE REGISTER, UNDER SECTION 85.

THE Registrar hereby gives you notice that, in conformity with the provisions of section 85 of the above-mentioned Act (printed at back hereof), your Trade-mark No. , registered in Class , will be removed from the Trade-marks Register, unless the prescribed fee of is received at this Office before the day of , 19 , on which date the existing registration will expire.

If the above fee is not paid before the date above named, the trade-mark will, after the end of one month from the date on which the omission to pay the fee has been advertised in the Patent Office Journal, be removed from the Trade-marks Register, unless an additional fee of 10s. is remitted.

Dated this day of , 19 .

To

The Patent Office, Wellington, New Zealand.

[Form No. 13.]

Stamp, £1.  
(Leave uncancelled.)

*The Patents, Designs, and Trade-marks Act, 1911.*

RESTORATION OF TRADE-MARK WHERE REMOVED FOR NON-PAYMENT OF FEE.

SIR,—

In pursuance of the notices issued by you, I hereby transmit the additional fee of £1 for restoration to the Trade-marks Register of the Trade-mark No. in Class .

Dated the day of , 19 .

To the Registrar, Patent Office, Wellington, New Zealand.

N.B.—This form must be indorsed with the name and address of the person transmitting the same.

[Form No. 14.]

Stamp, £1,  
for first mark,  
and 2s. for each  
of the others.  
(Leave uncancelled.)

*The Patents, Designs, and Trade-marks Act, 1911.*

JOINT REQUEST BY REGISTERED PROPRIETOR AND ASSIGNEE TO REGISTER THE ASSIGNEE AS SUBSEQUENT PROPRIETOR OF A TRADE-MARK.

WE [Name of registered proprietor], of [Address of registered proprietor], and [Name of assignee], of [Address of assignee], hereby request that the name of [Name of assignee], carrying on business as [Trade or business of assignee], at [Address of assignee], may be entered in the Register of Trade-marks as proprietor of the Trade-mark No. in Class .

[Signature of Registered Proprietor.]  
[Signature of Assignee.]

To the Registrar, Patent Office, Wellington, New Zealand.

[Form No. 15.]

*The Patents, Designs, and Trade-marks Act, 1911.*

FORM OF DECLARATION (TO BE FURNISHED ONLY WHEN REQUESTED BY REGISTRAR) BY ASSIGNEE IN SUPPORT OF APPLICATION TO BE REGISTERED AS PROPRIETOR OF TRADE-MARK.

I [Name of assignee], of [Address of assignee], do hereby solemnly and sincerely declare that the Trade-mark No. in Class has been assigned to me by [Name of assignor], of [Address of assignor], together with the goodwill of the business concerned in the goods for which it has been registered, and that I have accepted such assignment.

And I make this solemn declaration conscientiously believing the same to be true, and by virtue of the Justices of the Peace Act, 1908.

[Signature.]

Declared at , this day of , 19 ,

before me—

, Justice of the Peace [or Solicitor].

[Form No. 16.]

Stamp, £1,  
for first mark,  
and 2s. for each  
of the others.  
(Leave uncancelled.)

*The Patents, Designs, and Trade-marks Act, 1911.*

REQUEST TO ENTER NAME OF SUBSEQUENT PROPRIETOR OF TRADE-MARK UPON THE REGISTER.

I [or WE] [Insert name and address, and description] hereby request that you will enter my [or our] name[s] in the Register

of Trade-marks as proprietor[s] of the Trade-mark No. in Class

I am [or We are] entitled to the said trade-mark and to the goodwill of the business concerned in the goods with respect to which the said trade-mark is registered.

Accompanying this request is a statement of my [or our] case.

[Signature.]

Dated this day of , 19 .

To the Registrar, Patent Office, Wellington, New Zealand.

[Form No. 17.

*The Patents, Designs, and Trade-marks Act, 1911.*

FORM OF DECLARATION (TO BE FURNISHED ONLY WHEN REQUESTED BY REGISTRAR) IN SUPPORT OF STATEMENT OF CASE ACCOMPANYING

I, , of , do hereby solemnly and sincerely declare that the particulars set out in the statement of case, exhibit marked , and left by me in connection with my request to be registered as subsequent proprietor of the Trade-mark No. in Class , are true, and comprise every material fact and document affecting the proprietorship of the said trade-mark as above claimed.

And I make this solemn declaration conscientiously believing the same to be true, and by virtue of the Justices of the Peace Act, 1908.

[Signature.]

Declared at , this day of , 19 , before me,—

[Signature and title of the authority before whom the declaration is made.]

To the Registrar, Patent Office, Wellington, New Zealand.

[Form No. 18.

Stamp, 5s.\*  
(Leave uncancelled.)

*The Patents, Designs, and Trade-marks Act, 1911.*

NOTICE OF APPLICATION FOR ALTERATION OF ADDRESS ON REGISTER OF TRADE-MARKS.

In the matter of the Trade-mark No. registered in Class

I, , of , the registered proprietor of the trade-mark numbered as above, desire that my address on the Register of Trade-marks be altered to

Dated this day of , 19 .

[Signature.]

To the Registrar, Patent Office, Wellington, New Zealand.

\* If address altered in more than one case at same time attach 5s. stamp for first and 1s. stamp for each of other marks.

[Form No. 19.

Stamp, 5s.  
(Leave uncancelled.)

*The Patents, Designs, and Trade-marks Act, 1911.*

APPLICATION TO PERMIT AN APPORTIONMENT OF TRADE-MARKS.

In the matter of the registered Trade-marks Nos.

We, being the parties interested within the meaning of section 78 of the Patents, Designs, and Trade-marks Act, 1911, in certain marks of , who has ceased to carry on business, request you to permit an apportionment of those marks amongst the persons in fact continuing the business. With this application we send a case in pursuance of Regulation No. 74 of the regulations under the said Act relating to trade-marks.

[Signatures.]

Dated this day of , 19 .

To the Registrar, Patent Office, Wellington, New Zealand.

[Form No. 20.

Stamp, 5s.  
(Leave uncancelled.)

*The Patents, Designs, and Trade-marks Act, 1911.*

FORM OF REQUEST FOR CORRECTION OF CLERICAL ERROR OR FOR PERMISSION TO AMEND APPLICATION UNDER SECTION 67 (6) OR SECTION 108 (c).

SIR,—

I hereby request that

[Signature.]

Dated this day of , 19 .

To the Registrar, Patent Office, Wellington, New Zealand.

[Form No. 21.

Stamp, 5s.\*  
(Leave uncancelled.)

*The Patents, Designs, and Trade-marks Act, 1911.*

REQUEST TO ENTER CHANGE OF NAME OF REGISTERED PROPRIETOR OF TRADE-MARK UPON THE REGISTER.

I [or WE] [Here insert name, address, and description] hereby request that you will enter my [or our] name[s] in the Register of Trade-marks as proprietor[s] of the Trade-mark No. in Class

I am [or We are] entitled to the said trade-mark and to the goodwill of the business concerned in the goods with respect to which the said trade-mark is registered.

There has been no change in the actual proprietorship of the said trade-mark, but [Here state the circumstances under which the change of name took place].

[Signature.]

Dated this day of , 19 .

To the Registrar, Patent Office, Wellington, New Zealand.

\* If more than one mark, attach 5s. for first mark and 1s. for every other mark.

[Form No. 22.

Stamp, 5s.  
(Leave uncancelled.)

*The Patents, Designs, and Trade-marks Act, 1911.*

FORM OF APPLICATION BY PROPRIETOR OF REGISTERED TRADE-MARK TO CANCEL ENTRY ON REGISTER.

Trade-mark No. , Class , advertised in page

Name of registered proprietor :

Place of business :

Description :

I, THE undersigned , of [or I, the undersigned, a member of the firm of , of , on behalf of my said firm] apply that the entry upon the Register of Trade-marks of the Trade-mark No. in Class may be cancelled.

[Signature.]

Dated this day of , 19 .

To the Registrar, Patent Office, Wellington, New Zealand.

[Form No. 23.

Stamp, 5s.  
(Leave uncancelled.)

*The Patents, Designs, and Trade-marks Act, 1911.*

REQUEST TO STRIKE OUT GOODS FROM THOSE FOR WHICH A TRADE-MARK IS REGISTERED.

I, , of , hereby request that you will strike out from the goods for which the Trade-mark No. is registered in Class

[Signature.]

Dated this day of , 19 .

To the Registrar, Patent Office, Wellington, New Zealand.

[Form No. 24.

Stamp, 5s.  
(Leave uncancelled.)

*The Patents, Designs, and Trade-marks Act, 1911.*

REQUEST TO ENTER DISCLAIMER OR MEMORANDUM RELATING TO A TRADE-MARK.

I, , of , hereby request that you will enter in the register in connection with Trade-mark No. in Class the following , namely,—

[Signature.]

Dated this day of , 19 .

To the Registrar, Patent Office, Wellington, New Zealand.

[Form No. 25.

Stamp, £1.\*  
(Leave uncancelled.)

*The Patents, Designs, and Trade-marks Act, 1911.*

APPLICATION UNDER SECTION 88 TO ADD TO OR ALTER A TRADE-MARK.

In the matter of the Trade-mark No. in Class

APPLICATION is hereby made on behalf of the registered proprietor of the trade-mark numbered as above to alter it in

the following particulars, that is to say [Here fill in full particulars].

Four copies of the mark as it will appear when so altered are filed herewith.

Dated this \_\_\_\_\_ day of \_\_\_\_\_, 19\_\_\_\_. [Signature.]  
To the Registrar, Patent Office, Wellington, New Zealand.

\* If more than one mark, attach £1 for first mark and 10s. for every other mark.

[Form No. 26.]  
Stamp, 2s. 6d. (Leave uncancelled.)  
The Patents, Designs, and Trade-marks Act, 1911.  
REQUEST FOR SEARCH UNDER REGULATION 82.

You are hereby requested, in pursuance of Regulation 82 of the regulations in force under the above-mentioned Act relating to trade-marks, to search in Class \_\_\_\_\_ to ascertain whether any trade-marks are on record which resemble the trade-mark sent herewith.

Dated this \_\_\_\_\_ day of \_\_\_\_\_, 19\_\_\_\_. [Signature.] [Address.]  
To the Registrar, Patent Office, Wellington, New Zealand.

[Form No. 27.]  
Stamp, 10s. (Leave uncancelled.)  
The Patents, Designs, and Trade-marks Act, 1911.  
NOTICE OF ORDER OF COURT FOR ALTERATION OR RECTIFICATION OF REGISTER OF TRADE-MARKS.

In the matter of the Trade-mark No. \_\_\_\_\_, registered in Class \_\_\_\_\_ in the name of \_\_\_\_\_

SIR,— Notice is hereby given that by an order of the Court made on the \_\_\_\_\_ day of \_\_\_\_\_, 19\_\_\_\_, it was directed that

An office copy of the order of the Court is enclosed herewith.

Dated this \_\_\_\_\_ day of \_\_\_\_\_, 19\_\_\_\_. [Signature of person interested, or his agent.]  
To the Registrar, Patent Office, Wellington, New Zealand.

[Form No. 28.]  
Stamp, 5s. (Leave uncancelled.)  
The Patents, Designs, and Trade-marks Act, 1911.  
REQUEST FOR CERTIFICATE OF REGISTRAR.

In the matter of the Trade-mark No. \_\_\_\_\_ in Class \_\_\_\_\_, I, \_\_\_\_\_, of \_\_\_\_\_, hereby request you to furnish me with your certificate that [Here set out the particulars which the Registrar is requested to certify].

Dated this \_\_\_\_\_ day of \_\_\_\_\_, 19\_\_\_\_. [Signature.]  
To the Registrar, Patent Office, Wellington, New Zealand.

THIRD SCHEDULE.  
CLASSIFICATION OF GOODS.

[NOTE.—Goods are mentioned in the second column by way of illustration, and not as an exhaustive list of the contents of a class.]

Class 1. Such as—Acids, including vegetable acids; alkalies; artists' colours; pigments; mineral dyes.

Class 2. Such as—Artificial manure; cattle medicines; deodorizers; vermin-destroyers.

Class 3. Such as—Cod-liver oil; medicated articles; patent medicines; plasters; rhubarb.

Class 4. Raw or partly prepared vegetable, animal, and mineral substances used in manufactures, not included in other classes: Such as—Resins; oils used in manufactures and not included in other classes; dyes, other than mineral; tanning substances; fibrous substances (e.g., cotton, hemp, flax, jute); wool; silk; bristles; hair; feathers; cork; seeds; coal; coke; bone; sponge.

Class 5. Unwrought and partly wrought metals used in manufacture: Such as—Iron and steel, pig or cast; iron, rough; iron, bar and rail, including rails for railways; iron, bolt and rod; iron, sheet, and boiler and armour plates; iron, hoop; lead, pig; lead, rolled; lead, sheet; wire; copper; zinc; gold, in ingots.

Class 6. Machinery of all kinds, and parts of machinery, except agricultural and horticultural machines included in Class 7: Such as—Steam-engines; boilers; pneumatic machines; hydraulic machines; locomotives; sewing-machines; weighing-machines; machine tools; mining machinery; fire engines.

Class 7. Agricultural and horticultural machinery, and parts of such machinery: Such as—Ploughs, drilling-machines; reaping-machines; thrashing-machines; churns; cyder-presses; chaff-cutters.

Class 8. Philosophical instruments, scientific instruments, and apparatus for useful purposes; instruments and apparatus for teaching: Such as—Mathematical instruments; gauges; logs; spectacles; educational appliances.

Class 9. Musical instruments.

Class 10. Horological instruments.

Class 11. Instruments, apparatus, and contrivances, not medicated, for surgical or curative purposes, or in relation to the health of men or animals: Such as—Bandages; friction-gloves; lancets; fleams; enemas.

Class 12. Cutlery and edge tools: Such as—Knives; forks; scissors; shears; files; saws.

Class 13. Metal goods not included in other classes: Such as—Anvils; keys; basins (metal); needles; hoes; shovels; corkscrews.

Class 14. Goods of precious metals (including aluminium, nickel, Britannia metal, &c.) and jewellery, and imitations of such goods and jewellery: Such as—Plate; clock-cases and pencil-cases of such metals; Sheffield and other plated goods; gilt and ormolu work.

Class 15. Glass: Such as—Window and plate glass; painted glass; glass mosaic; glass beads.

Class 16. Porcelain and earthenware: Such as—China; stoneware; terra-cotta; statuary porcelain; tiles; bricks.

Class 17. Manufactures from mineral and other substances for building or decoration: Such as—Cement; plaster; imitation marble; asphalt.

- Class 18.**  
Engineering, architectural, and building contrivances: Such as—Diving-apparatus; warming-apparatus; ventilating-apparatus; filtering-apparatus; lighting-contrivances; drainage-contrivances; electric and pneumatic bells.
- Class 19.**  
Arms, ammunition, and stores not included in Class 20: Such as—Cannon; small-arms; fowling-pieces; swords; shot and other projectiles; camp equipage; equipments.
- Class 20.**  
Explosive substances: Such as—Gunpowder; gun-cotton; dynamite; fog-signals; percussion caps; fireworks; cartridges.
- Class 21.**  
Naval architectural contrivances and naval equipments not included in Classes 19 and 20: Such as—Boats; anchors; chain cables; rigging.
- Class 22.**  
Carriages: Such as—Railway-carriages; wagons; railway-trucks; bicycles; bath chairs.
- Class 23.**  
(a.) Cotton-yarn.  
(b.) Sewing-cotton.
- Class 24.**  
Cotton piece-goods of all kinds: Such as—Cotton shirtings; long cloth.
- Class 25.**  
Cotton goods not included in Classes 23, 24, or 38: Such as—Cotton lace; cotton braids; cotton tapes.
- Class 26.**  
Linen and hemp yarn and thread.
- Class 27.**  
Linen and hemp piece-goods.
- Class 28.**  
Linen and hemp goods not included in Classes 26, 27, and 50.
- Class 29.**  
Jute yarns and tissues, and other articles made of jute not included in Class 50.
- Class 30.**  
Silk, spun, thrown, or sewing.
- Class 31.**  
Silk piece-goods.
- Class 32.**  
Other silk goods not included in Classes 30 and 31.
- Class 33.**  
Yarns of wool, worsted, or hair.
- Class 34.**  
Cloths and stuffs of wool, worsted, or hair.
- Class 35.**  
Woollen and worsted and hair goods not included in Classes 33 and 34.
- Class 36.**  
Carpets, floor-cloth, and oil-cloth: Such as—Drugget; mats and matting; rugs.
- Class 37.**  
Leather, skins unwrought and wrought, and articles made of leather not included in other classes: Such as—Saddlery; harness; whips; portman-teaux; furs.
- Class 38.**  
Articles of clothing: Such as—Hats of all kinds; caps and bonnets; hosiery; gloves; boots and shoes; other ready-made clothing.
- Class 39.**  
Paper (except paperhangings), stationery, and bookbinding: Such as—Envelopes; sealing-wax; pens (except gold pens); ink; playing-cards; blotting-cases; copying-presses.
- Class 40.**  
Goods manufactured from indiarubber and guttapercha not included in other classes.
- Class 41.**  
Furniture and upholstery: Such as—Paperhangings; papier-mache; mirrors; mattresses.
- Class 42.**  
Substances used as food, or as ingredients in food: Such as—Cereals; pulses; olive-oil; hops; malt; dried fruits; tea; sago; salt; sugar; preserved meats; confectionery; oil-cakes; pickles; vinegar; beer clarifiers.
- Class 43.**  
Fermented liquors and spirits: Such as—Beer; cider; wine; whisky; liqueurs.
- Class 44.**  
Mineral and aerated waters, natural and artificial, including ginger-beer.
- Class 45.**  
Tobacco, whether manufactured or unmanufactured.
- Class 46.**  
Seeds for agricultural and horticultural purposes.
- Class 47.**  
Candles, common soap, detergents; illuminating, heating, or lubricating oils; matches, and starch, blue, and other preparations for laundry purposes: Such as—Washing-powders; benzine collas.
- Class 48.**  
Perfumery (including toilet articles, preparations for the teeth and hair, and perfumed soap).
- Class 49.**  
Games of all kinds and sporting articles not included in other classes: Such as—Billiard-tables; roller skates; fishing nets and lines; toys.
- Class 50.**  
Miscellaneous.  
(1.) Goods manufactured from ivory, bone, or wood, not included in other classes.  
(2.) Goods manufactured from straw or grass, not included in other classes.  
(3.) Goods manufactured from animal and vegetable substances, not included in other classes.  
(4.) Tobacco-pipes.  
(5.) Umbrellas, walking-sticks, brushes, and combs.  
(6.) Furniture-cream, plate-powder.  
(7.) Tarpaulins, tents, rick-cloths, rope, twine.  
(8.) Buttons of all kinds other than of precious metal or imitations thereof.  
(9.) Packing and hose of all kinds.  
(10.) Goods not included in the foregoing classes: Such as—Coopers' wares

J. F. ANDREWS,  
Clerk of the Executive Council



Applications for Letters Patent filed.

LIST of applications for Letters Patent filed. (Where a complete specification accompanies an application an asterisk is affixed; in all other cases a provisional specification has been lodged. In all cases where the applicant is not the inventor the name of the latter appears in italics in parentheses. † Denotes an application under the International and Intercolonial Arrangements.)

Hutson, P., Frankton Junction, N.Z.	..	..	Liquids, drawing off* ; 31372; 23rd May.
Reddish, E., Drury, N.Z.	..	..	Gas-producing plant; 31373; 21st May.
White, H. E., Wellington, N.Z.	..	..	Girder-bracket* ; 31374; 24th May.
Besley, B. C., Howell, N.S.W.	..	..	Tin-extracting* ; 31375; 19th July, 1911.†
Oligny, J. D., Montreal, Can.	..	..	Electric-charging apparatus; 31376; 23rd May.
Elsom, W., Winchester, N.Z.	..	..	Wringer; 31377; 23rd May.
Craddock, A. H., Christchurch, N.Z.	..	..	Clothes-line; 31378; 24th May.
Ponninghaus, W. B. D., South Yarra, Vic.	..	..	Water-heater; 31379; 24th May.
Ponninghaus, W. B. D., South Yarra, Vic.	..	..	Gas water-heater; 31380; 24th May.
Dodson, J. D. W., Christchurch, N.Z.	..	..	Blotter; 31381; 24th May.
Robertson, A. W., Christchurch, N.Z.	..	..	Blotter; 31381; 24th May.
Welch, G. J., Wanganui, N.Z.	..	..	Tin-opener; 31382; 28th May.
Bromwich, K. L., Paeroa, N.Z.	..	..	Picture-hanging; 31383; 25th May.
Heath, T. B., Auckland, N.Z.	..	..	Boot, &c., lace securing; 31384; 25th May.
Queneau, A. L. J., Philadelphia, U.S.A.	..	..	Metallurgy of zinc* ; 31385; 8th June, 1911.†
Shaw, C. E., Levin, N.Z.	..	..	Gas-main-pressure raising; 31386; 29th May.
Wearn, J. S., Christchurch, N.Z.	..	..	Label or tag; 31387; 27th May.
Whall, J., Darfield, N.Z.	..	..	Lifting-jack* ; 31388; 27th May.
Burnet, A. H., Sydney, N.S.W.	..	..	Mattress* ; 31389; 29th May.
Hodgkinson, G. S., Manly, N.S.W.	..	..	Mattress* ; 31389; 29th May.
Ridd Milking Machine Company, Limited, New Plymouth, N.Z. ( <i>Ridd, A.</i> , Waipuku, N.Z.)	..	..	Milk-delivering from machine* ; 31390; 29th May.
Cochrane, J., Auckland, N.Z.	..	..	Pasteurizer* ; 31391; 29th May.
Blackham, W. H., Melbourne, Vic.	..	..	Teat-cup; 31392; 29th May.
Jonson, J., Midhurst, N.Z.	..	..	Locomotive, &c., funnel; 31393; 29th May.
Fredric, J. W. H., Stratford, N.Z.	..	..	Locomotive, &c., funnel; 31393; 29th May.
McMillan, J. W., Stratford, N.Z.	..	..	Locomotive, &c., funnel; 31393; 29th May.
Andrews, F., London, Eng.	..	..	Horse-collar; 31394; 30th May.
Leech, A. H., Sydney, N.S.W.	..	..	Man's collar* ; 31395; 30th May.
Adams, A. A., jun., Mataura, N.Z.	..	..	Hatpin-guard; 31396; 30th May.
Madero, E. J. M., Buenos Aires, Arg.	..	..	Rotary engine* ; 31397; 30th May.
Brila, L. A., London, Eng.	..	..	Printing, &c., process* ; 31398; 29th May, 1911.†
Andrews, W., London, Eng.	..	..	Printing, &c., process* ; 31398; 29th May, 1911.†
Dubilier, W., New York, U.S.A.	..	..	Induction-coil, &c.* ; 31399; 30th May.
Cothesy, J. H., London, Eng.	..	..	Turbine* ; 31400; 30th May.
Dickson, W. K. L., London, Eng.	..	..	Turbine* ; 31400; 30th May.
McDougall, A. A., Napier, N.Z.	..	..	Closet-flush; 31401; 28th May.
Irwin, T. R., Christchurch, N.Z.	..	..	Soap-cake preparation; 31402; 30th May.
Hement, T. C., Christchurch, N.Z.	..	..	Flushing-valve; 31403; 30th May.
Park, A. J., Onehunga, N.Z.	..	..	Twine, &c., spinner; 31404; 29th May.
Mackenzie, H. R., Mangere, N.Z.	..	..	Twine, &c., spinner; 31404; 29th May.
Boesen, H., Auckland, N.Z.	..	..	Milk-releaser; 31405; 29th May.
Marr, J., Dunedin, N.Z.	..	..	Bicycle, &c., gear control; 31406; 29th May.
Warner, J., Dunedin, N.Z.	..	..	Bicycle, &c., gear control; 31406; 29th May.
Cuttle, J. A., Dunedin, N.Z.	..	..	Wire-tightener; 30407; 29th May.
Woolnough, A., Dunedin, N.Z.	..	..	Hinge; 31408; 29th May.
Waters, J. B., Dunedin, N.Z.	..	..	Egg-preserver; 31409; 29th May.
Rose, F., Melbourne, Vic.	..	..	Elevated ruler; 31410* ; 9th May.
Evans, L. H., Melbourne, Vic.	..	..	Elevated ruler; 31410* ; 9th May.
Manson, T., Palmerston North, N.Z.	..	..	Threshing-machine screen* ; 31411; 31st May.
Manson, J. A., Palmerston North, N.Z.	..	..	Threshing-machine screen* ; 31411; 31st May.
Barr, J. M., Palmerston North, N.Z.	..	..	Threshing-machine screen* ; 31411; 31st May.
Woodcock, R. R., Napier, N.Z.	..	..	Gramophone* ; 31412; 31st May.
Boulton, W. F., Auckland, N.Z.	..	..	Curtain, &c., display frame; 31413; 31st May.
McKay, J., Westport, N.Z.	..	..	Railway-point closer; 31414; 1st June.
Robinson, S. J., Auckland, N.Z.	..	..	Shirt; 31415; 1st June.
Robinson, S. J., Auckland, N.Z.	..	..	Shirt-sleeve; 31416; 1st June.
Livingston, G., Christchurch, N.Z.	..	..	Sales-recorder; 31417; 31st May.
Silberrad, O., Buckhurst Hill, Eng.	..	..	Flax-straw retting* ; 31418; 4th June.
Fibre Corporation, Limited, London, Eng.	..	..	Flax-straw retting* ; 31418; 4th June.
Paterson, E. A., Port Arthur, Can.	..	..	Roadmaking* ; 31419; 4th June.
Smith, A. D., Edinburgh, Scot.	..	..	Railway, &c., coupling* ; 31420; 4th June.
Blank, G. H., Hokitika, N.Z.	..	..	Vehicle-brake* ; 31421; 4th June.
Malfroy, C. M., Hokitika, N.Z.	..	..	Vehicle-brake* ; 31421; 4th June.
Makgill, A., Onehunga, N.Z.	..	..	Lavatory-basin; 31422; 1st June.
Wilkinson, J. H., Dunedin, N.Z.	..	..	Fireplace-curb* ; 31423; 30th May.
Schofield, R. W., Taneatua, N.Z.	..	..	Concrete post; 31424; 4th June.
Clarke, H., London, Eng.	..	..	Coal-distillation* ; 31425; 4th June.
Campbell, J. A., Ilford, Eng.	..	..	Coal-distillation* ; 31425; 4th June.
Holland, H. J. B., St. Annes-on-Sea, Eng.	..	..	Tobacco-pipe, &c., mouthpiece; 31426; 4th June.
Heber-Percy, J. R., Kenilworth, Eng.	..	..	Water, &c., locating device* ; 31427; 4th June.
Dubilier, W., New York, U.S.A.	..	..	Electric-current utilizing* ; 31428; 4th June.
Darby, T. C., Wickford, Eng.	..	..	Cultivating-implement* ; 31429; 9th June, 1911.†
Mitrani, A., London, Eng.	..	..	Metal bar for ferro-concrete* ; 31430; 18th June, 1911.†
Friwi-Butterimngsverfahren Gesellschaft m.b.H., Hamburg, Ger.	..	..	Buttermaking* ; 31431; 4th June.
Lonsdale, T., Wellington, N.Z.	..	..	Water-heater; 31432; 4th June.
Vaughan, G. T., Lower Hut, N.Z.	..	..	Washing-fluid; 31433; 4th June.
Jouneaux, St. C., Palmerston North, N.Z.	..	..	Funnel and tin piercer* ; 31434; 4th June.
Keiller, W. A., Palmerston North, N.Z.	..	..	Match-box; 31435; 4th June.
Wallis, J., Hawera, N.Z.	..	..	Hinge; 31436; 4th June.
Foy, A. H., Hawera, N.Z.	..	..	Hinge; 31436; 4th June.
Roberts, R., Hamilton, N.Z.	..	..	Milk-delivering from machine; 31437; 4th June.

## Complete Specifications filed after Provisionals.

**L**IST of complete specifications filed after provisional specifications from the 24th May to the 6th June, 1912, inclusive:—

- No. 29970.—A. R. Bannister and T. G. Johns, variable speed-gear.  
 No. 30078.—G. E. Cluett, fence-standard, &c., and wire-fastening.  
 No. 30100.—J. H. Suckling, carburettor.  
 No. 30106.—J. C. P. Kirkwood, heat-regulator for gas apparatus.  
 No. 30114.—R. Brennan, nutmeg-grater.  
 No. 30129.—A. W. Reid, milking-machine releaser.  
 No. 30132.—A. J. Gibbs, button.  
 No. 30141.—W. D. Jakeman and A. H. Geary, concrete fencing-post.  
 No. 30165.—A. T. G. Symons, golf-club caddy-bag.  
 No. 30171.—L. Bell, crockery-washer.  
 No. 30177.—T. and J. Diprose, hygienic belt.  
 No. 30193.—A. F. Bush, concrete-mould clamping.  
 No. 30202.—The Australian Wood Pipe Company, Limited, wood-stave pipe. (F. T. Burnett and A. G. McDonald.)  
 No. 30364.—E. Boraman, C. S. Roughton, and J. B. Waters, metallic egg preserver.  
 No. 31042.—W. G. Wilson, opening toheroas.  
 No. 31231.—G. Croxford and D. O'Halloran, petrol-ejector.

## Notice of Acceptance of Complete Specifications.

Patent Office,  
Wellington, 12th June, 1912.

**C**OMPLETE specifications relating to the undermentioned applications for Letters Patent have been accepted, and are open to public inspection at this office. Any person may, at any time within two months from the date of this *Gazette*, give me notice in writing of opposition to the grant of any such patent. Such notice must set forth the particular grounds of objection, and be in duplicate. A fee of 10s. is payable thereon.

The copies of claims and extracts from the specifications and drawings are merely intended to give some further indication of the invention than is disclosed in the title, and the complete specifications and drawings should be referred to for a description of the invention.

No. 29597.—3rd July, 1911.—WILLIAM MAXWELL, care of Caledonian Hotel, Napier, New Zealand, Engineer. Improvement in pneumatic tires.\*

*Claim.*—A pneumatic-tire protector, comprising a sheath of leather or fabric with metal plates or discs attached thereto in such a manner that they are not rigid.

(Specification, 1s. 6d.)

No. 29629.—29th May, 1911.—WILLIAM MUIR NELSON, of Christchurch, New Zealand, Tramway Board Engineer. Improvements in or relating to tramway-cars.\*

*Claim.*—(1.) In tramway-cars of the class described, constructing the car-body with the side pillars on both sides arranged coincidentally with the roof-sticks, and with a groove formed in the side face of each pillar, arranged in a continuous line, with a groove formed in the side face of the corresponding roof-stick, and with the groove in the side pillar on the other side of the car, and flexible blinds extending across between the pillars and fitted at their edges to slide up and down within the grooves in the pillars and in the roof-stick, substantially as specified.

(Specification, 6s.)

[NOTE.—Here follow three other claims.]

No. 29663.—2nd June, 1911.—FRANK VICTOR RAYMOND, of Invercargill, New Zealand, Solicitor. An improved apparatus for obtaining fibre and squeezing juices from fibrous plants.\*

*Extract from Specification.*—Sets of rollers and two endless belts, one above the other, passing between said rollers.

(Specification, 4s.)

[NOTE.—The above extract from the specification is inserted in place of the claims.]

No. 29735.—17th June, 1911.—CHARLES GODFREY WHITAKER, of Christchurch, Engineer, and MALCOLM ARCHIBALD MCKENZIE, of Hamilton, both of New Zealand. An improved releaser for milking-machines.\*

*Claims.*—(1.) In milking-machines, a milk-releaser consisting of a receiving-tank adapted to be connected with the

milk-pipe and having a connection constructed to make connection between the tank and a source of vacuum or with air at will, a discharge-opening formed in the bottom of the receiving-tank, and a gravity valve normally closing such opening, in combination with a measuring-tank arranged beneath the receiving-tank, substantially as specified. (2.) In a milk-releaser for milking-machines comprising an airtight receiving-tank adapted to be connected with the milk-pipe, a two-way valve having a port entering the tank, and ports connected respectively with vacuum and with air and so constructed that either of such latter ports may be arranged in connection with the port leading to the tank while the other is cut off therefrom, substantially as and for the purposes specified. (Specification, 5s.)

[NOTE.—Here follows one other claim.]

No. 29738.—19th June, 1911.—JAMES LYALL, of South Dunedin, New Zealand, Fitter. Improvements in the lids of tins and other receptacles.\*

*Claims.*—(1.) Improvements in the lids of tins and other receptacles, characterized by this: that the lid is normally held closely on the tin by springs, and is attached to a swinging bail, substantially as described. (2.) Improvements in the lids of tins and other receptacles, consisting of arms, such as 9 and 10, extending on each side of the lid, said arms having downwardly extending lugs, such as 15, 16, acting as guides, substantially as and for the purposes set forth.

(Specification, 2s. 6d.)

[NOTE.—Here follow two other claims.]

No. 29765.—23rd June, 1911.—JAMES WILLIAM THOMPSON, care of Conaghan Bros., Rockhampton, Queensland, Australia. Buttermaker. Butter-pat cutter.\*

*Extract from Specification.*—Butter is placed on a marble block. The butter is then cut into the portions or weights required by means of two devices having cutting-wires maintained tight by piano-pegs. One of the devices is adapted to make vertical cuts at right-angles to each other, while the other device makes both a vertical and horizontal cut. The horizontal cutting-wire is adjustable while all the vertical cutting-wires are set. The stop is adapted to keep the butter from shifting on the marble block while the horizontal cuts are being made.

(Specification, 4s.)

[NOTE.—The above extract from the specification is inserted in place of the claims.]

No. 29885.—18th July, 1911.—WILLIAM THOMAS FOWLER, of Te Rou, Marlborough, New Zealand, Farmer. Improvements in or relating to reaping-machines.\*

*Claims.*—(1.) The combination with a reaping-machine, of a cutter arranged to extend vertically from the outer end of the main cutter-bar, and with its cutting-edges extending forwardly in the line of travel of the machine, and means whereby the knives of such cutter may be actuated by the travel of the machine, substantially as specified.

(3.) In reaping-machines, a table extending from the rear of the main cutter-bar and curving in behind the rear of the machine and provided with a raised outer edge, substantially as and for the purpose specified.

(Specification, 5s.)

[NOTE.—Here follows one other claim.]

No. 29912.—24th July, 1911.—JOHN JAMES RAYNES, of Rukuhia, Waikato, New Zealand, Farmer. Improved water-heater.\*

*Claims.*—(1.) An improved water-heater comprising a U-shaped pipe inserted in the exhaust-pipe of an internal-combustion motor, substantially as set forth. (2.) A water-heater comprising a U-shaped pipe secured to a gland or strap and inserted in the exhaust-pipe of an internal-combustion motor, the said strap being clamped upon the exhaust-pipe and made watertight therewith, as set forth.

(Specification, 3s. 6d.)

[NOTE.—Here follow five other claims.]

No. 29952.—2nd August, 1911.—WILLIAM CHARLES RICHARD CANTELIN, of Okaiawa, New Zealand, Farmer. An improved construction of water-wheel.\*

*Claims.*—(1.) A water-wheel formed by a pair of annular plates arranged parallel with a space between and attached to the outer ends of spokes radiating from a central hub, and floats or buckets formed by plates bent into approximately U form secured between such plates, substantially as specified. (2.) The improved water-wheel constructed substantially as described and explained, and as illustrated in the drawings.

(Specification, 2s. 9d.)

No. 29957.—2nd August, 1911.—HERBERT HENRY HINDS, of Young and Bridge Streets, Sydney, New South Wales, Australia, Machinery Agent (assignee of John Francis Wilson, of 129 Devonshire Street, Sydney aforesaid, Miller). An improved apparatus for scutching and cleaning kapok.\*

*Claim.*—(1.) In apparatus for scutching and cleaning kapok, a beating-chamber containing a vertical rotatable shaft connected to rotary power by suitable gearing and carrying a series of radial beater arms or blades, said beating-chamber provided with air-draught apertures in the bottom, and a feed-hopper containing a revolving feed-roll, as described and illustrated. (Specification, 3s. 6d.)

No. 29978.—7th August, 1911.—FRANK SEPTIMUS MARCHANT, of 7 Mortimer Terrace, Wellington, New Zealand, Engineer. Device for turning in place, or otherwise, crank-pins, journals, and like parts of machinery which have become worn through wear.\*

*Extract from Specification.*—A sleeve having a length corresponding to the length of the journal or pin to be turned is made in two parts bolted together, so that they can be separated for the purpose of being placed in position for use. A cutter having a length corresponding to the width of the journal is located radially in a recess or groove provided in the sleeve, and is secured therein by lateral clamping-screws. Radial screws pass through the sleeve and have their ends bearing upon the cutter for the purpose of adjusting the same. A longitudinal recess in front of the cutter allows the turnings to collect and escape. Sight-holes are provided through the sleeve for observing whether the cutter is doing its work properly. Other radial screws pass through the sleeve and have their ends bearing upon hard wood buttons or plugs, which bear upon the journal to be turned, for the purpose of holding the sleeve to the journal. A radial bar for operating the device is fixed to the sleeve. The ends of the cutter project into recesses at each end of the sleeve, and the amount cut away by the cutter can be observed by calipering the distance between the top of the cutter and the top of the recess. (Specification, 4s. 9d.)

[NOTE.—The above extract from the specification is inserted in place of the claims.]

No. 29983.—8th August, 1911.—UNITED SHOE MACHINERY COMPANY, of Paterson, in the State of New Jersey, United States of America, a corporation duly organized under the laws of said State of New Jersey, carrying on business as Shoe-machinery Manufacturers, and having a place of business at 205 Lincoln Street, Boston, in the Commonwealth of Massachusetts, in said United States of America (assignees of William Christian Meyer, of Beverly, Massachusetts aforesaid, Mechanical Engineer). Improvements in or relating to in-seam shoe-sewing machines.\*

*Claims.*—(1.) A shoe-sewing machine having, in combination, stitch-forming devices (including a curved hook needle), a welt-guide, a welt-guide slide, a pivotally mounted arm supporting the slide at one point, and an actuating-lever for the slide supporting the slide at another point. (2.) A shoe-sewing machine having, in combination, stitch-forming devices (including a curved hook needle), a welt-guide, a welt-guide slide, a cam-actuated lever, and means operated by the lever for locking the slide in advanced position and for retracting the slide. (3.) A shoe-sewing machine having, in combination, stitch-forming devices (including a curved hook needle), a welt-guide, a welt-guide slide, a locking-clutch box, and an actuating-clutch box mounted thereon, a clutch-actuator mounted on the slide between the boxes, arranged to co-operate with one box to lock the slide in advanced position and to co-operate with the other box to retract the slide, and means for moving the actuator. (Specification, £1 12s. 6d.)

[NOTE.—Here follow twenty-two other claims.]

No. 29984.—8th August, 1911.—UNITED SHOE MACHINERY COMPANY, of Paterson, in the State of New Jersey, United States of America, a corporation duly organized under the laws of said State of New Jersey, carrying on business as Shoe-machinery Manufacturers, and having a place of business at 205 Lincoln Street, Boston, in the Commonwealth of Massachusetts, in said United States of America (assignees of Arthur Bates, of Leicester, England, Engineer). Improvements in or relating to sole-sewing machines.\*

*Claims.*—(1.) A shoe-sewing machine having, in combination, a needle, mechanism for actuating the needle comprising a series of relatively movable parts, a work-support, a presser-foot, and a connection to said mechanism acting (upon a change in the relative position of the presser-foot and work-support) to change the angular relation of the paths of movement of the parts of said mechanism to vary the needle-stroke. (2.) A shoe-sewing machine having, in combination, a needle, mechanism for actuating the needle comprising a series of pivotally connected levers and links, a presser-foot, a work-support, and a connection to said mechanism acting (upon a change in the relative position of the presser-foot and work-support) to swing one end of one of said links

about a centre relatively movable with relation to the pivot at the other end of the link but coaxial therewith at one limit of the needle-stroke to vary the other limit of the needle-stroke. (Specification, £1 13s.)

[NOTE.—Here follow nineteen other claims.]

No. 30027.—15th August, 1911.—ROBERT WILLIAM CALDWELL, of Papanui, Manager of Preserving Department; JOHN WILLIAM LANGDON, of St. Albans, Foreman Tinsmith; and ALLAN PARKIN, of St. Albans, Tinsmith; all of Canterbury, New Zealand. Improved apparatus for soldering cans and the like.\*

*Extract from Specification.*—A pot or receptacle, known in the trade as a "joker," and containing melted soldering-material, is provided with a bridge supported upon springs. A plate or gauge fixed to the bridge has a recess in which a ring of asbestos or the like is fitted. The can to be soldered is placed upon the plate, and pressed by a lever into the solder until the seam at the bottom is covered with solder, the asbestos preventing the solder reaching the bottom of the can. The lever is operable by foot or hand, and is returned to its normal position by a spring. Upon the pressure of the lever being removed, the springs raise the bridge and remove the can from the solder. (Specification, 5s.)

[NOTE.—The above extract from the specification is inserted in place of the claims.]

No. 30052.—17th August, 1911.—EDWARD JAMES BANON, of Auckland, New Zealand, Labourer. An improved hatpin-point-holder attachment.\*

*Extract from Specification.*—This invention lies in connecting to the head of the hatpin a case containing a spring-actuated wheel or drum, around which is wound a chain or cord adapted to be drawn out to its full length from within the casing, and which can also be caused (by means of the spring-actuated wheel or drum) to return within the casing and be stowed away. The outer end of the chain or cord has a point holder or protector attached to it, which on the chain or cord being wound up or stowed within the casing will lie against the outside of the casing, and on the chain or cord being drawn out of the casing will be available to engage and fit over the point of the pin and form a guard thereon. (Specification, 2s. 9d.)

[NOTE.—The above extract from the specification is inserted in place of the claims.]

No. 30244.—20th September, 1911.—WILLIAM DALL, of York Place, Dunedin, New Zealand, Merchant. Improved single-notch fence-droppers.\*

*Extract from Specification.*—I make the droppers of L section, and of slightly springy material, such as steel, preferred, and cut the notches alternately near one edge or the other, leaving the opposite edge plain and therefore stronger. Also, where the notches are in pairs their position has to be exact—this is obviously not the case with one notch. To insert these in a fence, I either do it by hand, or, if wires are tight, by a spanner-like bar interlocking each notch from either end as most convenient. (Specification, 3s. 6d.)

[NOTE.—The above extract from the specification is inserted in place of the claims.]

No. 30288.—21st February, 1911.†—RICHARD JOHN FRY, of 70 Hardiman Street, Kensington, Victoria, Australia, Manufacturer. Horse-shoe machine.

*Claims.*—(1.) In a machine of the class described, a stationary bolster and a movable vice plate or jaw for holding a heated blank, and a pitman-rod and revolving eccentric for operating said movable vice-plate, substantially as described, and for the purposes set forth. (2.) In a machine of the class described, a bed having a bolster fitted adjustably thereon, an oscillatorily mounted vice-plate having an inwardly turned upper edge, and means for actuating said vice-plate, substantially as described, and for the purposes set forth. . . .

5. In a machine of the class described, a stationary and a movable jaw for gripping a heated blank, and set-screws for adjusting the position of said movable jaw, substantially as described, and for the purposes set forth. (Specification, 5s. 6d.)

[NOTE.—Here follow two other claims.]

No. 30733.—13th March, 1911.†—LESLIE WALTER WELSFORD, of "Fernhill," Willis Street, Hampton, Victoria, Australia, Contractor, and WILLIAM ARTHUR BARTON, of Johnstone Street, Malvern, Victoria aforesaid, Business Manager. An improved apparatus for moulding concrete blocks for building purposes.

*Claims.*—(1.) An apparatus for moulding concrete blocks for building purposes, comprising a collapsible mould having its bottom hinged at its rear edge and adapted to swing downwardly and rearwardly about 90 degrees, and standards fitted to the front of said bottom for supporting a board in

its vertical and horizontal position, accordingly, as the said bottom is in its raised or lowered position, substantially as described, and for the purposes set forth. . . . (3.) The combination in an apparatus for moulding concrete blocks for building purposes, of a mould supported on a framing or stand and having a hinged bottom and ends, guide-rods depending from said bottom, a cross-bar slidably mounted on said rods, cores fitted to said cross-bar, upwardly projecting bent arms fitted to the ends of said cross-bar, laterally projecting wings on the hinged ends of said mould, and an operating-lever pivotally connected to said cross-bar and bottom of the mould, substantially as described and illustrated, and for the purposes set forth. . . . (9.) The combination with an apparatus for moulding concrete blocks for building purposes as hereinbefore described and claimed, of a superposed reciprocating delivery-box, a reciprocating rammer, said delivery-box and rammer being controlled successively by an operating-lever and system of sector and rack gearing, arranged and operating substantially as described, and for the purposes set forth. (Specification, 14s. 6d.)

[NOTE.—Here follow six other claims.]

No. 30950.—27th February, 1912.—CYRIL ALFRED BICKNELL, of Hupenui, Greytown, New Zealand, Farmer. An improved target.

*Extract from Specification.*—A rectangular frame, extending from the bottom of the shelter-trench to near the surface of the ground, has a plurality of horizontal vertically sliding rails to which is clamped the main target. These rails are connected by wire ropes or the like passing over guide-pulleys with other horizontal rails sliding vertically upon the frame and to which is secured the dummy or score-indicating target. (Specification, 3s. 6d.)

[NOTE.—The above extract from the specification is inserted in place of the claims.]

No. 31031.—13th March, 1912.—THOMAS BASSFORD, of 547 Collins Street, Melbourne, Victoria, Australia, Signaller. Improvements in sliding-jaw wrenches and the like.

*Claims.*—(1.) In a sliding-jaw wrench or the like, a toothed bar carrying a jaw or the like, in combination with a sliding sleeve also carrying a jaw or the like, and a partially retractable block having teeth normally engaged with the bar-teeth, the edge of the block on the side opposite its teeth being exposed and adapted for hand pressure or pull, as the case may be. (2.) Construction as in claim (1), and with the block kept in partially retractable position by means of a bolt or the like with a spring in recesses, as described. (3.) In a sliding-jaw wrench or the like, a sleeve with a jaw, and a shank having a slot receiving a block, the slot and block ends being shaped or arranged to prevent lateral displacement, as described, the slot enabling block teeth to engage teeth on the arm. (4.) In combination, the parts as described, with reference to Fig. 1. (Specification, 2s.)

No. 31064.—21st March, 1912.—BERTRAM GEORGE AIKEN HARKNESS, of Stratford, Taranaki, New Zealand, Engineer. Improved vacuum valve and pulsator.

*Claims.*—(1.) Apparatus for the purpose indicated, comprising the cylinders 1 and 2, the pistons connected by a rod, the D valve 9, means upon said rod for operating said valve, and the means for reciprocating said pistons within the cylinders, substantially as and for the purpose specified, and illustrated in the drawing. . . . (6.) In apparatus of the nature indicated, the means for instantly moving the valve 9 from a state of rest, consisting of the combination of the cylinders 1 and 2, the pistons 4 and 5, the rod connecting them, and the collars upon the rod, which are spaced apart the required distance so that at the desired moment they operate valve 9, substantially as and for the purpose specified and illustrated. (Specification, 6s.)

[NOTE.—Here follows one other claim.]

No. 31085.—3rd April, 1911.†—ERNEST GRAHAM GODFREE, of "Keighley," Sandringham Road, Sandringham, near Melbourne, Victoria, Australia, Electrician. An improved automatic toll-recorder for telephone systems.

*Extract from Specification.*—The basic principle underlying this invention consists in placing a consequent pole electro-magnet in the circuits of telephone-exchange systems. This consequent pole electro-magnet is adapted to automatically close the circuit in which the registering-devices are operated only when the calling and answering subscribers are in communication. A second consequent pole electro-magnet is also inserted in the circuit, and operates after each toll has been recorded, and automatically opens the meter circuit. An open circuit is maintained during the use of the line, but when the calling-plug is withdrawn at the close of conversation the armature of the second consequent pole electro-magnet automatically returns to its normal position. (Specification, 15s.)

[NOTE.—The above extract from the specification is inserted in place of the claims.]

No. 31138.—2nd April, 1912.—ROBERT CARHAMPTON MORGAN, Dunedin, New Zealand, Agent, and WILLIAM BENNETT, of Mornington, near Dunedin aforesaid, Inventor. Improved bag and parcel carriers.

*Extract from Specification.*—We form wire into hooks, generally in pairs to get a firmer hold of the article to be carried, and these are placed at each end of a suitable handle for better convenience of carrying. The hooks preferably fold against the handle when not in use. (Specification, 2s.)

[NOTE.—The above extract from the specification is inserted in place of the claims.]

No. 31139.—2nd April, 1912.—JOSE SANCHEZ JURAEZ, of 5th Nuevo Mexico Street, Mexico, Mexico, Merchant. Improvements in tires for wheels.

*Claim.*—(1.) In a tire for wheels, the combination of rectangular sections, a spiral spring placed in said sections and secured at the lower extremities in cavities in the sections, and at the upper ends in suitable cavities in the rim of the wheel, said spring having one or more springs inside it, said springs of such size that the second enters the first, and so on, so that the smallest may assist the biggest in case of need, and means for providing a partial union between sections to allow for lateral play. (Specification, 3s.)

[NOTE.—Here follows one other claim.]

No. 31176.—17th April, 1912.—GASTON JACQUIER, of No. 40 Portland House, Commissioner Street, Johannesburg, Transvaal, South Africa, Consulting Engineer. Improvements in recovering the gold and zinc contained in the solution of sulphate of zinc in the cyanide process for recovering gold from its ores, applicable also for the precipitation of other metallic salts in dissolution, and apparatus therefor.

*Extract from Specification.*—According to my invention, the metal-bearing solution is placed in a suitable tank or vessel containing one or more sheets of aluminium, or the sheets of aluminium may be subsequently placed or immersed in the solution, or one or more sheets of the aluminium may be placed in the vessel and additional sheets be placed in the solution after it has been introduced into the tank or vessel. I prefer to employ a large storage-tank for collecting the metallic solution to be treated, and to provide a strainer for removing any foreign matter, and for aerating said solution when it is being transferred from said storage-tank into the treatment tank or vessel. The treatment tank or vessel is preferably open at the top so as to admit of the entrance of the sun's rays to the solution which is placed therein. To this end the removable top of the tank or vessel may be constructed of bars or as a rectangular frame, from which the sheet or sheets of aluminium will be suspended inside the tank or vessel. The solution is exposed to the sunlight for a period of approximately from one to four hours, either before or after it has been placed in the precipitating tank or vessel. In order to accelerate the precipitation of the metal the solution is preferably made lukewarm, or heated to a temperature of approximately 30 degrees centigrade. In due time, varying with the strength of the solution, and (or) the temperature thereof, the dissolved metal is precipitated by contact with the surfaces of the aluminium plates. The solution can be assayed from time to time by means of a hydrometer or litmus paper, and when it is ascertained that the solution is exhausted of the metallic oxide the sheets of aluminium are removed from the tank or vessel, and cleaned by means of brushes or the like, to remove therefrom all the precipitated metallic particles. The tank or vessel is then emptied of the barren solution, and the metallic slime or precipitate removed and dried. It can then be melted or sold in the state in which it is precipitated. (Specification, 13s. 6d.)

[NOTE.—The above extract from the specification is inserted in place of the claims.]

No. 31181.—12th June, 1911.†—ALBERT KILBORN, formerly of "Bondi," New Street, Middle Brighton, but now of Cole Street, Elsternwick, Victoria, Australia, Engineer. A pneumatic liquid-drawing and automatic delivering apparatus.

*Claims.*—(1.) A pneumatic liquid-drawing and automatic delivering apparatus, comprising pneumatically operated valve mechanism to allow air to be alternately withdrawn from and admitted to two or more vessels, for the purpose specified. (2.) A pneumatic liquid-drawing and automatic delivering apparatus, comprising one or more pairs of stationary receiving-vessels connected with a vacuum-producer and with a supply-pipe, into which liquid is alternately drawn by vacuum and discharged by atmospheric pressure through the medium of suitable valve mechanism, substantially as set forth. (Specification, 7s.)

[NOTE.—Here follow two other claims.]

No. 31182.—18th April, 1912.—NINO MAGELSEN, of Platougaten 9, Kristiania, Norway, Manager. Method of producing articles, and coats firmly adhering to articles, from plastic masses hardening into a fireproof, weatherproof elastic material capable of resisting the action of acids.

*Claim.*—(1.) Method of producing fireproof articles or fireproof coats on articles, characterized thereby that a plastic mass containing water-glass is applied in a thin layer and pressed on to a sheet of paper or other thin supporting material, and transferred to moulds or articles by placing the supporting sheet with its layer of mass up against the surface in question, and afterwards removing the supporting sheet.

(Specification, 5s. 3d.)

[NOTE.—Here follow five other claims.]

No. 31184.—18th April, 1912.—WILLIAM HAROLD OSBORN, of Hallam Street, Plumber, and DAVID JOSEPH LUMAN McCAULEY, of 130 Sternberg Street, Builder and Contractor, both of Bendigo, Victoria, Australia. An improved rain-water purifier.

*Extract from Specification.*—Comprises a funnel or mouth upon a downpipe having a grating of wire mesh and the like for straining off the said solids. This downpipe is directed obliquely into a vertical elongated chamber, the lower part of which comprises a settler or receiver for the sediment and finer impurities. At the junction of the said downpipe with the said vertical chamber is provided a conical or other shaped strainer, through which the water is caused to pass upwardly, leaving the coarser impurities to settle in the chamber. The swirl or agitation caused by the entrance of the water at the side opposite the conical strainer has the effect of continuously removing the impurities from the mesh of the said strainer. Above this strainer is provided a filter, which comprises a basket or cage, containing charcoal or suchlike filtering-medium, through which the water is caused to pass upwardly before going to the tank or storage-reservoir. The strainers and filter in this apparatus are all made removable for cleaning purposes.

(Specification, 5s. 6d.)

[NOTE.—The above extract from the specification is inserted in place of the claims.]

No. 31185.—19th April, 1912.—STEPHEN BARKER WILLIAMS, of Bank of New Zealand, Hamilton, New Zealand, Bank Clerk. Improvements in or relating to luggage-labels.

*Extract from Specification.*—A band, which is preferably made of the same material as the label, has an enlarged end which is split to receive the end of the label. This enlarged end is secured to the label by adhesive matter. The free end of the band is provided with a hole, and a hole is made through the enlarged end of the band and label, through which the end of the band is passed and secured by an ordinary paper-fastener, one member of which, however, is kinked to prevent the fastener from falling out.

(Specification, 2s. 3d.)

[NOTE.—The above extract from the specification is inserted in place of the claims.]

No. 31197.—20th April, 1912.—ALFRED WALKER and MONTAGUE WILLIAM MARRIAGE, both of Dunedin, New Zealand, Ironfounders. Improvements in boiler-frames.

*Claims.*—(2.) A base for a boiler-frame so constructed as to heat the air before it reaches the grate, substantially as described. (3.) A base for a boiler-frame characterized by being detachable, and having a support for an ashpans, said support being provided with air-holes, substantially as and for the purposes set forth. (4.) A door for the firebox of a boiler-frame so constructed and arranged as to be incapable of falling off in either its closed or open position, substantially as described.

(Specification, 3s. 6d.)

[NOTE.—Here follow one other claim.]

No. 31198.—30th September, 1911.†—WILLIAM GRANT FISKE, Director of the Thames Paper Company, Limited, of Purfleet, Essex, England. An improved fastening-device for box-covers.

*Claim.*—(1.) A fastening-device for the cover of a box whereof the closure is effected at a longitudinal joint between two overlapping portions of the cover, comprising a bar of metal adapted to cover the joint by overlying the margin of the flap portion and the adjacent part of the other portion of the cover, and a pair of stiff metal end-strips adapted to cross the extremities of said bar and to be secured by nails passing through the material of the box, substantially as set forth.

(Specification, 4s. 6d.)

[NOTE.—Here follows one other claim.]

No. 31204.—24th April, 1912.—UNITED SHOE MACHINERY COMPANY, of Paterson, in the State of New Jersey, United States of America, a corporation duly organized under the laws of said State of New Jersey, carrying on business as Shoe-machinery Manufacturers, and having a place of business at 205 Lincoln Street, Boston, in the Commonwealth of Massachusetts, in said United States of America (assignees of Joseph Gouldbourn, Engineer, and Harry Hallam, Engineer, both of Leicester, England). Improvements in or relating to

machines for securing welts, rands, and similar styles of material to stock in the manufacture of boots and shoes.

*Claims.*—(1.) For a machine for securing welts, rands, or similar strips of material to stock in the manufacture of boots and shoes, the provision of a slitting-device comprising a knife or cutter arranged to slit the inner margin of the strip by entering the under-surface of the strip and proceeding obliquely through the strip in such direction that in securing the said strip to the stock by successive operations each slit portion will, before being secured, override the portion immediately in front of it that has already been attached to the stock. (2.) For a machine for securing welts, rands, or similar strips of material to stock in the manufacture of boots and shoes, the provision of a manually operable part (for example, 25) that not only performs the function of controlling the operation of a strip-slitting device, but also the function of (a) clamping the work in or moving it into operative position, or (b) starting the machine, or both functions (a) and (b).

[NOTE.—Here follow four other claims.]

No. 31205.—24th April, 1912.—UNITED SHOE MACHINERY COMPANY, of Paterson, in the State of New Jersey, United States of America, a corporation duly organized under the laws of said State of New Jersey, carrying on business as Shoe-machinery Manufacturers, and having a place of business at 205 Lincoln Street, Boston, in the Commonwealth of Massachusetts, in said United States of America (assignees of Orrell Ashton, Machinist; David Edward Galloway, Inventor; and Angelo Perri, Machine-operator, residing respectively in Swampscott, in the County of Essex and said Commonwealth of Massachusetts; Clifton Heights, in the County of Delaware and State of Pennsylvania, in said United States of America; and Haverhill, in said County of Essex). Improvements in or relating to pulling-over machines.

*Claims.*—(1.) A machine of the class described having, in combination, means for resting a shoe, and measuring-devices supported for movement into and out of operative relation to the opposite sides of the shoe. (2.) A machine of the class described having, in combination, means for resting a shoe, means for pulling the upper, having provision for manual movement to adjust the upper about the last, and gauges which may or may not be movable into and out of operative relation to the opposite sides of the shoe, and which indicate the relation of the tip-line of the upper to the last at the sides of the shoe.

(Specification, £1 8s.)

[NOTE.—Here follow twenty-two other claims.]

No. 31206.—27th April, 1911.†—ELIZABETH BUTTERY, of Wolseley Road, Mosman, near Sydney, New South Wales, Australia, Married Woman. Improved neck-band for shirts, blouses, and like garments.

*Claim.*—(1.) A neck-band for shirts, blouses, and like garments formed in two parts, the overlapping rear end of each provided with slots or holes and adapted to be secured to one another by a suitable fastener through any of the slots or holes, the two-part band being secured to a garment provided with a split yoke, as and for the purposes specified.

(Specification, 2s. 6d.)

[NOTE.—Here follows one other claim.]

No. 31213.—25th April, 1912.—JOHN VORBACH, of Renwickton, New Zealand. An improved hame-hook.

*Claim.*—(1.) In hame-hooks of the class described, a plate portion formed with a loop extending across its face at the back edge thereof and having sides tapering inwards to their back ends, and a hook portion adapted to be passed, point first, through the loop from its front, and having a butt end shaped to wedge into the tapering sides of the loop, substantially as specified.

(Specification, 2s. 3d.)

[NOTE.—Here follows one other claim.]

No. 31217.—24th April, 1912.—WILLIAM LINDSAY CORSON, of No. 503 Mission Street, San Francisco, California, United States of America. Improved vaporizer for liquid fuel.

*Claims.*—(1.) An inlet manifold for internal-combustion engines formed with a gasifying or vaporizing chamber therein, a communication between said chamber and source of supply, a communication between said chamber and engine-cylinder, and a heat-circulating duct surrounding said gasifying-chamber. (2.) In a gasifying-device for low-gravity liquid fuels, the combination with an exhaust-pipe of an internal-combustion engine, of an inlet manifold, a gasifying or vaporizing chamber in said manifold, a communication between said chamber and source of fluid-supply, a communication between said chamber and engine-cylinder, a receiving-duct surrounding said gasifying-chamber, and means for circulating the heated gases from said exhaust-pipe through said duct.

(Specification, 7s.)

[NOTE.—Here follow four other claims.]

No. 31227.—27th April, 1912.—JULES HIPPOLYTE CORTHESEY, Sen., of 50 Thornhill Houses, Barnsbury, Engineer; JULES HIPPOLYTE CORTHESEY, Jun., of 72 Hemberton Road, Clapham, Librarian; and WILLIAM KENNEDY LAURIE DICKSON, of 4 Denman Street, Piccadilly Circus, Engineer; all of London, England. Improvements in and relating to turbines.

*Extract from Specification.*—According to the invention, we provide a chamber having a passage opening into it which serves both as an inlet for the air for the explosive mixture and for the discharge of the exploded gases against the turbine rotor, the said passage being so formed that the air will pass to the chamber without affecting the rotor and will be cut off from the chamber by each explosion.

(Specification, 5s.)

[NOTE.—The above extract from the specification is inserted in place of the claims.]

No. 31228.—27th April, 1912.—CHARLES ASHTON HENRY BULLOCK, of No. 11 Ludgate Square, London E.C., England, Publisher, and the INTERNATIONAL STAMPING MACHINE COMPANY (LIMITED), of No. 231, Strand, London W.C., England, Manufacturers. An improved machine for delivering and affixing postage-stamps and the like.

*Extracts from Specification.*—Feeding-device wherein when the plunger is depressed the stamp-strip is automatically gripped and fed forward the required distance, a pin or tooth (or a plurality thereof), adapted to always spring back to a definite point, automatically operating in conjunction with the perforations in the stamp-strip to regulate and correct the feed. . . . Jets or sprays of moisture are ejected from the machine, preferably intermittently, in such a manner and in such a direction that the moisture is sprayed on to the adhesive side of the stamp to be affixed as the stamp moves into position for affixing. . . . Plunger-pad which presses the damped stamp on to the surface to which it is to be applied, the arrangement being such that instead of a vertical pressure only being available there is a slight horizontal movement of the pad, such as will cause a more firm adherence. . . . Means for rendering a complete stroke of the plunger imperative at each operation, and means for ensuring the proper application of the stamp to the surface designed to receive it.

(Specification, 11s. 6d.)

[NOTE.—The above extracts from the specification are inserted in place of the claims.]

No. 31229.—27th April, 1912.—KARL HEINRICH WIMMER, of Holzhafen, near Bremen, Germany, Manufacturing Chemist, and ERIC BERKELEY HIGGINS, of 12 Elleray Park Road, Wallasey, England. A process for the reduction or hydrogenation of organic compounds, such as fatty acids and the glycerides.

*Claim.*—(1.) The process for the reduction or hydrogenation of organic compounds which consists in treating the said compounds with hydrogen at a suitable temperature and with the aid of organo-metallic compounds, such as organic metal salts, substantially as described.

(Specification, 3s. 9d.)

[NOTE.—Here follow two other claims.]

No. 31235.—26th April, 1912.—ALBERT HENRY BENNETT, residing at Menzie's Hotel, Bourke Street, Melbourne, Victoria, Australia, Chief Chef. An iceless refrigerator.

*Extract from Specification.*—The invention consists, briefly, in providing an hermetically closed vessel, which is surrounded by a cooling-jacket, and provided internally with a helically coiled pipe, through which water is passed to assist in cooling the contents of said vessel.

(Specification, 10s. 6d.)

[NOTE.—The above extract from the specification is inserted in place of the claims.]

No. 31236.—26th April, 1912.—NIELS OHMS, of Ponsonby near Auckland, New Zealand, Builder. Improved fireproof partition for houses and the like.

*Extract from Specification.*—This invention provides for a fireproof partition, built of plaster-of-paris slabs secured together, by means of either separate keys adapted to engage in the key-recesses formed in the adjacent edges of the slabs, or by forming horizontal keys on the edges of the slabs to engage in the key-recesses of the adjoining slabs. The slabs are formed either of solid plaster-of-paris or with a plaster-of-paris casing or shell filled with packing, such as coke, scoria, sand, pumice-stone, metal, stone, marble, or granite chips, or ashes, which is cast into the slabs when they are being formed.

(Specification, 3s. 9d.)

[NOTE.—The above extract from the specification is inserted in place of the claims.]

No. 31238.—24th April, 1912.—JOHN HOBBS BEAMISH, of 27 Regent Street, London S.W., and of 40 Marine Parade, Ponsonby, Auckland, New Zealand, Architect. An improved game apparatus.

*Claim.*—(1.) Game apparatus comprising a board having raised edges lined with resilient cushions, cups or pockets in its surface or at the edges, and a raised cushion or deflector made of or covered with resilient material at a point in its body or central part, substantially as described.

(Specification, 2s. 6d.)

[NOTE.—Here follow five other claims.]

No. 31263.—7th May, 1912.—THEODOR FRANKE, of Wartburgstrasse 24, Schoneberg, Berlin, Germany, Civil Engineer. Improvements in machines for pressing liquids from materials containing the same.

*Claim.*—(1.) Machine for pressing liquids from materials containing the same, in which the material is compressed by pistons in a compressing-chamber provided with strainers for enabling the liquid to escape, characterized by the strainers being provided with teeth projecting into the chamber and adapted to tear open the surfaces of the material in contact with the strainers.

(Specification, 8s.)

[NOTE.—Here follow nine other claims.]

No. 31265.—7th May, 1912.—HANS VON KRAMER, of 21 Wood End Road, Erdington, juxta Birmingham, England) Electrical Engineer. Improved means for the regulation and control of railway and like traffic.

*Claims.*—(1.) In an inductive railway-signalling system, automatic means whereby immediately before and when a train enters a block it is caused to induce an alternating current in a line wire laid parallel to the track, and to thereby (through a relay) indicate its entry to the signalman, to restore its own apparatus to a condition ready for receiving signals, and to restart its alternating-current sending-apparatus, whereby when it passes out of the block it will indicate its entry into the next block in the same manner. (2.) In an inductive signalling-system, the employment of a main section, a current-restoring section, and a clearing section in the stationary part of the apparatus, substantially as and for the purpose set forth.

(Specification, £1 5s.,

[NOTE.—Here follow five other claims.]

No. 31282.—7th May, 1912.—ALEXANDER MCKINLAY, of Dunedin, New Zealand, Groom (assignee of the said Alexander McKinlay and Frederick George McKinlay, of Dunedin aforesaid, Fitter). Improved egg-beater.

*Claims.*—(1.) The egg-beater as a whole, substantially as described, and illustrated in the drawing. (2.) An egg-beater characterized by means for aerating the shelled eggs during the process of beating them, substantially as described. (3.) An egg-beater comprising means for forcing air through the shelled eggs, and, in conjunction therewith, means for simultaneously beating the shelled eggs, substantially as described.

(Specification, 2s. 6d.)

No. 31284.—26th May, 1911.†—GOGU CONSTANTINESCU, of 11 Hart Street, Bloomsbury, W.C., London, England, Engineer. Improvements in carburettors for internal-combustion engines.

*Claim.*—(1.) A carburettor comprising a horizontal conduit for motor-exhaust gases, a carburation-chamber extending along said conduit, a percolation-layer in said chamber, partly filling the cross-section thereof and placed upon the wall of said conduit, and a device for feeding fuel to said percolation-layer so that delivery of fuel from said feed-device is distributed along the length of the said layer.

(Specification, 6s.)

[NOTE.—Here follow five other claims.]

No. 31285.—13th July, 1911.†—GOGU CONSTANTINESCU, of 11 Hart Street, Bloomsbury, W.C., London, England, Engineer. Improvements in carburettors for internal-combustion engines.

*Claim.*—(1.) A carburettor comprising, in combination with a horizontal conduit for motor-exhaust gases, a carburation-chamber extending along the said conduit, a body of non-absorbent heat-conducting material filling the cross-section of said chamber and having interstices adequate to give passage to the entire quantity of air to be carburetted in said chamber, and means for discharging liquid hydrocarbon into the interstices in said body, so that there is a substantially uniform delivery of the liquid along the length of the carburation-chamber.

(Specification, 7s. 6d.)

[NOTE.—Here follow six other claims.]

No. 31286.—3rd August, 1911.†—GOGU CONSTANTINESCU, of 11 Hart Street, Bloomsbury, W.C., London, England, Engineer. Improvements in carburettors for internal-combustion engines.

*Claim.*—(1.) A carburettor comprising, in combination with a horizontal conduit for motor-exhaust gases, a carburation-chamber surrounding said conduit, a horizontal perforated fuel-feed pipe in said chamber (substantially parallel with said conduit), an air-pipe which partly traverses said chamber and terminates with an open orifice near one end of said chamber, and non-absorbent heat-conducting bodies arranged in said carburation-chamber, with interstices between them, the inlets of the fuel, air, and exhaust gases being all at the same end of the apparatus.

(Specification, 4s. 6d.)

[NOTE.—Here follow two other claims.]

No. 31299.—10th May, 1912.—CHARLES JOHN READ, of San Francisco, California, United States of America, Engineer. Electrolytic process.

*Claim.*—(1.) The process of recovering a magnetic metal, particularly nickel, iron, or cobalt, from a solution of its sulphate, which consists in electrolyzing said solution, using an anode of spongy lead.

(Specification, 3s. 9d.)

[NOTE.—Here follow three other claims.]

Copies of drawings may be obtained at the uniform price of 1s. each. In exceptional cases this price may be increased at the discretion of the Office.

An asterisk (\*) denotes the complete specification of an invention for which a provisional specification has been already lodged. A dagger (†) denotes a prior date upon the International and Intercolonial Arrangements.

NOTE.—The cost of copying the specification has been inserted after the notice of each application. An order for a copy or copies should be accompanied by a post-office order or postal note for the cost of copying.

The date of acceptance of each application is given after the number.

Extracts from the drawings accompanying the foregoing complete specifications appear at the end of the *Gazette*.

J. C. LEWIS,  
Registrar.

Provisional Specifications accepted.

Patent Office,  
Wellington, 7th June, 1912.

APPLICATIONS for Letters Patent, with provisional specifications, have been accepted as under:—

- No. 29951.—E. J. Garrett, paint-brush attachment.
- No. 31150.—A. Lewthwaite, galvanized-iron column.
- No. 31158.—J. McGregor, fire-grate and feed-attachment.
- No. 31165.—R. M. Collins, ink-cabinet.
- No. 31201.—G. W. Edwards, flax-stripper.
- No. 31248.—J. Garside, tug-strap protector.
- No. 31256.—J. Welsh, scullery draining-board.
- No. 31269.—D. G. Forlong and H. W. Whitehead, plough subsoil, &c., attachment.
- No. 31272.—E. H. Wallace, tree-uprooting apparatus.
- No. 31279.—J. J. Walshe, gearless engine.
- No. 31301.—D. McCrae, spring mattress.
- No. 31302.—A. Burges, flax-cleaning machine.
- No. 31303.—A. E. Hodgkinson, W. J. Duncan, and J. C. Francis, cash-register.
- No. 31304.—G. E. Cluett, reinforcement-bar for ferro-concrete.
- No. 31308.—N. B. Levien, door, &c., latch.
- No. 31309.—T. P. Eustege, liquid-fuel heating-apparatus.
- No. 31314.—M. Sherlock and F. H. Kennedy, spouting-bracket.
- No. 31315.—T. P. Eustege, bicycle hood or cover.
- No. 31317.—S. L. Harris, brooch, &c., pin.
- No. 31319.—J. L. Thompson, hatpin-point protector.
- No. 31349.—G. E. Collins, washing-machine.

[NOTE.—Provisional specifications cannot be inspected, or their contents made known by this office in any way, until the complete specifications in connection therewith have been accepted.]

Letters Patent sealed.

LIST of Letters Patent sealed from the 22nd to the 29th May, 1912, inclusive:—

- No. 29212.—G. E. Collins, easy-chair adjustment.
- No. 29527.—T. Grace, wheel.
- No. 29591.—J. H. Fraser, cultivator.

No. 30563.—C. M. M. O'Connor, calculating-machine.  
No. 30639.—F. Bedford and C. E. Williams, fatty-acid conversion.

- No. 30673.—A. E. Humphries, clutch.
- No. 30753.—D. McAuslin, boot.
- No. 30767.—P. D. H. Ohlhaber, yeast-manufacture.
- No. 30795.—E. E. Johnson, metal-extraction.
- No. 30802.—Huebner-Bleistein Patents Company, adjustment-controller. (W. C. Huebner.)
- No. 30808.—G. S. Norris, lock-nut.

Letters Patent on which Fees have been paid.

[NOTE.—The dates are those of the payments.]

LIST of Letters Patent on which fees have been paid from the 24th May to the 6th June, 1912, inclusive:—

SECOND-TERM FEES.

- No. 24337.—Ponninghaus Proprietary, Limited, liquid-heating apparatus. (A. M. Ponninghaus.) 2nd May.
- No. 24338.—Ponninghaus Proprietary, Limited, clothes-washer, &c. (A. M. Ponninghaus.) 2nd May.
- No. 24339.—Ponninghaus Proprietary, Limited, article-washer. (A. M. Ponninghaus—W. B. D. Ponninghaus.) 2nd May.
- No. 24484.—The Pittler Universal Rotary Machine Syndicate, Limited, rotary engine, &c. (J. W. von Pittler.) 31st May.
- No. 24487.—M. M. Neilson, sewage, &c., treatment. 4th June.
- No. 24512.—J. M. Taylor and H. Oakley, window. 29th May.
- No. 24636.—J. Blau, scent, &c., projector. 6th June.
- No. 25526.—W. White, washing and filling locomotive, &c., boilers. 1st June.
- No. 25975.—E. J. Solano, moving target. 31st May.

THIRD-TERM FEES.

- No. 19525.—T. Ballinger and W. Milligan, spouting-bracket. 29th May.
- No. 19540.—G. Hutchinson, milking-machine. 31st May.
- No. 19558.—Booth, Macdonald, and Co., Limited, wheel, &c., bearing. (W. Brew.) 29th May.
- No. 19567.—J. R. Harrison, ore, &c., amalgamator and concentrator. 4th June.
- No. 19761.—Schmidt's Superheating Company (1910), Limited, slide-valve packing-ring. (W. Schmidt.) 4th June.
- No. 19767.—Schmidt's Superheating Company (1910), Limited, locomotive tube-boiler. (W. Schmidt.) 4th June.
- No. 19768.—Schmidt's Superheating Company (1910), Limited, marine, &c., boiler superheater. (W. Schmidt.) 4th June.
- No. 19829.—Schmidt's Superheating Company (1910), Limited, superheater. (W. Schmidt.) 4th June.
- No. 19849.—Marconi's Wireless Telegraph Company, Limited, electric current detecting and measuring. (J. A. Fleming.) 30th May.
- No. 22873.—T. Gare, india-rubber-goods manufacture and repairing. 30th May.

Subsequent Proprietors of Letters Patent registered.

[NOTE.—The name of the former proprietor is given in parentheses; the date is that of registration.]

- NO. 29784.—Note of agreement for sale of patent to Hercules Sandford Burleigh, of Gisborne, New Zealand, Engineer, on the terms set out in deed entered on the Register. Steel seating. (E. J. Bickford.) 29th May, 1912.
- No. 30346.—License to Henry Selwyn Marsh and James William Miller, trading together as the "Taibape Foundry and Engineering Works," of Taihape, New Zealand, upon the terms set forth in deed entered on Register. Removal of sawdust, &c., in sawmills. (R. D. Tosswill.) 7th June, 1912.

Request for Correction of Clerical Error in Application for Letters Patent.

NO. 30791.—International Wrapping Machine Company, wrapping-machine. (F. H. Merrell and W. S. Amidon.) (Advertised in Supplement to *New Zealand Gazette*, No. 23, of the 7th March, 1912.)

To amend the application by the insertion of a note that the company is the assignee of F. H. Merrell and W. S. Amidon.

## Applications for Letters Patent abandoned.

LIST of applications, with which provisional specifications only have been filed, abandoned (i.e., complete specifications not lodged) from the 24th May to the 6th June, 1912, inclusive:—

- No. 29919.—A. D. Clemett and W. Broadbent, collapsible box.  
 No. 29921.—E. J. Kee, swingletree.  
 No. 29924.—W. C. Reed, hatpin-guard.  
 No. 29926.—W. T. Sadd, tow-treating machine.  
 No. 29927.—F. Matthews, cow-bail fastener.  
 No. 29929.—P. P., P., and T. McDermott, plough-share.  
 No. 29933.—W. Sandlant, window-sash securing.  
 No. 29935.—D. H. Lea, knife.  
 No. 29937.—J. Brockbank, airship.  
 No. 29938.—F. Sewell, firing projectiles.  
 No. 29939.—W. J. Branigan, spouting-bracket.  
 No. 29940.—A. T. Church, plough.  
 No. 29944.—B. J. Brownjohn, reversible-sash window.  
 No. 29958.—T. J. Stevenson, weed-lifting machine.  
 No. 29960.—E. M. Clarke, sewing-machine.  
 No. 29967.—G. F. Norton, casement-lock.  
 No. 29969.—R. Stewart, flax-dressing.  
 No. 29973.—H. C. Dix, gate. (R. Callahan.)  
 No. 29975.—D. and W. Murray, chain link or buckle.

## Applications for Letters Patent void.

APPLICATIONS for Letters Patent, with which complete specifications have been lodged, void owing to non-acceptance of such complete specifications, from the 24th May to the 6th June, 1912, inclusive:—

- No. 29167.—A. J. Grant, vehicle-brake.  
 No. 29194.—H. H. Tarver, manufacture of articles from waste rubber.  
 No. 29225.—C. Robertson, elastic boot.

## Applications for Letters Patent lapsed.

APPLICATIONS for Letters Patent lapsed, owing to Letters Patent not being sealed, from the 24th May to the 6th June, 1912, inclusive:—

- No. 28786.—L. E. Cassrels and W. J. Rutherford, closet-seat covering.  
 No. 28792.—L. E. Cassrels and W. J. Rutherford, advertising sign.  
 No. 28795.—C. E. Hardley, air-pump ventilator.  
 No. 28798.—A. L. J. Tait, clothes-peg.  
 No. 28800.—G. F. Birks, can-closure. (E. N. Birks.)  
 No. 28819.—K. A. McGibbon, clothes-washer.  
 No. 28823.—C. W. Martin, electric oven.

## Letters Patent void.

LIST of Letters Patent void through non-payment of renewal fees, and through expiry of term of fourteen years, from the 24th May to the 6th June, 1912, inclusive:—

## THROUGH NON-PAYMENT OF SECOND-TERM FEES.

- No. 23612.—T. Morris, spring catch for vehicles.  
 No. 24054.—C. W. Nance, extraction of air, gases, &c.  
 No. 24055.—T. T. Main and C. W. Nance, preservation of edible substances.  
 No. 24056.—W. Cutler, propelling boats.  
 No. 24059.—A. O. Anderson, agricultural implement.  
 No. 24073.—H. Quartier, indicating-device.  
 No. 24079.—G. G. Turri, repairing felted heads of piano-hammers. (G. R. Bode.)  
 No. 24080.—F. A. Deunert and J. J. Jackson, tire-inflator.  
 No. 24088.—C. G. P. de Laval, extracting iron.  
 No. 24098.—G. Ridgway, filtering-machine.  
 No. 24102.—M. Brown, E. A. Brown, and W. P. Rough, anti-rattler for windows.  
 No. 24103.—C. A. Soans and A. H. Graves, telephone.  
 No. 24104.—J. Bennett, operating screw-drivers.  
 No. 24108.—J. Thompson, boot-manufacture.

## THROUGH NON-PAYMENT OF THIRD-TERM FEES.

- No. 19167.—J. Gray, seed-sower.

## THROUGH EXPIRY OF TERM.

- No. 10617.—J. H. Kellogg, producing an alimentary product.

## Design registered.

A DESIGN has been registered in the following name on the date mentioned:—

- NO. 579.—Sargood, Son, and Ewen, Limited, of Dunedin, in the Provincial District of Otago, and elsewhere, in the Dominion of New Zealand, Warehousemen. Class 10. 17th May, 1912.

## Subsequent Proprietor of Design registered.

[NOTE.—The name of the former proprietor is given in parentheses; the date is that of registration.]

- NO. 531.—J. Bartram and Son Proprietary, Limited, of Nos. 19, 21, and 23, King Street, Melbourne, Victoria, Australia, Produce-merchants, &c. (H. W. Bartram and G. H. Hope—J. Bartram and Sons.) 7th June, 1912.

## Applications for Trade Marks filed.

LIST of applications for registration of Trade Marks filed from the 24th May to the 6th June, 1912, inclusive:—

- No. 10455.—24th May.—Sharland and Co., Limited, Auckland, N.Z. Class 50.  
 No. 10456.—24th May.—R. S. Boys, Toowoomba, Queens. Class 48.  
 No. 10457.—25th May.—A. Sturges, Henderson, N.Z. Class 42.  
 No. 10458.—28th May.—A. E. Burcher, "Burcher and Co.," Auckland, N.Z. Class 47.  
 No. 10459.—29th May.—O'Leary Bros. and Downs, Auckland, N.Z. Class 46.  
 No. 10460.—29th May.—Celmo Company, London, Eng. Class 3.  
 No. 10461.—29th May.—E. Varley, Auckland, N.Z. Class 42.  
 No. 10462.—29th May.—W. A. Peairs, Sydney, N.S.W. Class 3.  
 No. 10463.—29th May.—H. Canonne, Paris, France. Class 3.  
 No. 10464.—29th May.—Godat and Co., La Chaux-de-Fonds, Switz. Class 10.  
 Nos. 10465, 10466, and 10467.—29th May.—J. B. Gilbert and Sons, Limited, Wanganui, N.Z. Class 47.  
 No. 10468.—30th May.—H. Walker, Bridgford, Eng. Class 38.  
 No. 10469.—30th May.—W. H. Smith and Son, London, Eng. Class 39.  
 No. 10470.—31st May.—W. H. Aburn, Dunedin, N.Z. Class 47.  
 Nos. 10471 and 10472.—31st May.—Tootal Broadhurst Lee Company, Limited, Manchester, Eng. Classes 24 and 25.  
 No. 10473.—29th May.—H. G. Moore, Ratanui, N.Z. Class 50.  
 No. 10474.—31st May.—H. F. Stevens, Christchurch, N.Z. Class 3.  
 No. 10475.—1st June.—Blundell, Spence, and Co., Limited, London, Eng. Class 1.  
 No. 10476.—4th June.—H. J. Eady and W. Eady, Dunedin, N.Z. Class 2.  
 No. 10477.—4th June.—A. Shackleton and Co., Bradford, Eng. Class 34.  
 No. 10478.—4th June.—Leicester Rubber Company, Leicester, Eng. Class 40.  
 No. 10479.—4th June.—Skelton, Frostick, and Co., Limited, Christchurch, N.Z. Class 38.  
 No. 10480.—4th June.—Compagnie des Cristalleries de Baccarat, Baccarat, France. Class 15.



Applications for Registration of Trade Marks.

Patent Office,  
Wellington, 8th June, 1912.

APPLICATIONS for registration of the following Trade Marks have been received. Notice of opposition to the registration of any of these applications may be lodged at this office within two months of the date of this Gazette. Such notice must be in duplicate, and accompanied by a fee of £1.

No. of application : 9952.  
Date : 3rd October, 1911.

TRADE MARK.

The word

**SAXA.**

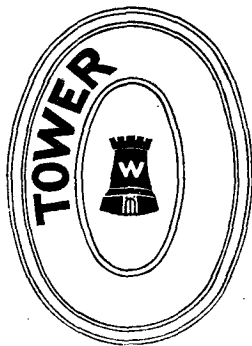
NAME.

CEREBOS LIMITED, of Cerebos Works, Greatham, Co. Durham, England, Manufacturers and Refiners.

No. of class : 42.  
Description of goods : Substances used as food or as ingredients in food, with the exception of fruit-preservative, tea, preserved milk, and goods of the same description.

No. of application : 10275.  
Date : 8th March, 1912.

TRADE MARK.



The essential particulars of this trade mark are the word "Tower" together with the device of a tower; and any right to the exclusive use of the added matter is disclaimed.

NAME.

WERE BROS., of Papanui Road, St. Albans, Christchurch, in the Dominion of New Zealand.

No. of class : 43.  
Description of goods : Hop-beer, kops-ale, kops-stout, hop-ale, hop- tonic, included in this class.

No. of application : 10411.  
Date : 6th May, 1912.

TRADE MARK.



The essential particular of the trade mark is the following—the distinctive mark; and any right to the exclusive use of the added matter is disclaimed.

NAME.

GAS TRACTION COMPANY, of Minneapolis, Minnesota, in the United States of America, Manufacturers.

No. of class : 7.  
Description of goods : Agricultural and horticultural machinery and parts of such machinery.

No. of application : 10439.  
Date : 16th May, 1912.

TRADE MARK.

The word

**SHINOLA.**

The essential particular of this trade mark is the name "Shinola."

NAME.

GEORGE FILGATE KELLY, of Post-office, Christchurch, in the Dominion of New Zealand, Grocer.

No. of class : 50.  
Description of goods : Linoleum-polish.

No. of application : 10445.  
Date : 21st May, 1912.

TRADE MARK.

The word

**DUZZIT.**

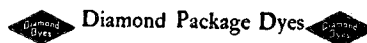
NAME.

LAWRENCE GODWIN PORTER, trading as "L. G. Porter," of 23 Panama Street, Wellington, in the Dominion of New Zealand, Advertising and General Agent.

No. of class : 50.  
Description of goods : A paste for cleaning stains from furniture or painted or varnished surfaces.

No. of application : 10450.  
Date : 22nd May, 1912.

TRADE MARK.



The essential particulars of the trade mark are the following—the device and the word "Diamond"; and any right to the exclusive use of the added matter is disclaimed.

NAME.

WELLS AND RICHARDSON COMPANY, successors in business to "Wells, Richardson, and Co.," of 129-133 College Street, in the City of Burlington, County of Chittenden, State of Vermont, United States of America, Wholesale Druggists and Manufacturers and Sellers of Medicines and Chemicals.

No. of class : 1.  
Description of goods : Mineral dyes.

No. of application : 10452.  
Date : 23rd May, 1912.

TRADE MARK.

**EVERED**

The essential particular of this trade mark is the name "Evered."

The applicant company claims that the said trade mark has been used by them in respect of the articles mentioned for nineteen years before the 1st January, 1890.

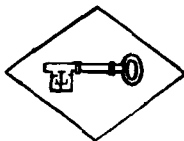
NAME.

EVERED AND Co., LIMITED, of Nos. 28 and 29, Drury Lane, London W.C., and Surrey Works, Smethwick, juxta Birmingham, England, Brassfounders, and Lamp, Bedstead, and Gas, Steam, and Water Fittings Manufacturers.

No. of class : 13.  
Description of goods : Plumbers' brass foundry; cabinet and general brass foundry; brass-cased tubes and rods; brass and copper tubes and rods; lamps; chandeliers; gas, electric-light, and water fittings; and metal fittings for telephones and electric bells and the like, all being goods included in Class 13.

No. of application: 10454.  
Date: 23rd May, 1912.

TRADE MARK.



NAME.

FOSTER'S ADHESIVE COMPOSITION COMPANY, LIMITED, of Auckland, in the Dominion of New Zealand.

No. of class: 1.

Description of goods: All goods included in this class.

[NOTE.—Class 1 is for "Chemical substances used in manufactures, photography, or philosophical research, and anti-corrosives."]

No. of application: 10455.  
Date: 24th May, 1912.

TRADE MARK.

The words

AJAX METAL POLISH.

The essential particular of this trade mark is the name "Ajax"; and any right to the exclusive use of the words "Metal Polish" is disclaimed.

NAME.

SHARLAND AND CO., LIMITED, of Lorne Street, Auckland, in the Dominion of New Zealand, Wholesale Druggists.

No. of class: 50.

Description of goods: Metal-polish.

No. of application: 10456.  
Date: 24th May, 1912.

TRADE MARK.

The word

THYMODENT.

The essential particular of this trade mark is the word "Thymodent."

NAME.

REGINALD SEPTIMUS BOYS, of Toowoomba, Queensland, in the Commonwealth of Australia.

No. of class: 48.

Description of goods: Preparations for the mouth and teeth.

No. of application: 10459.  
Date: 29th May, 1912.

TRADE MARK.



The essential particular of this trade mark is the device; and any right to the exclusive use of the added matter is disclaimed.

NAME.

O'LEARY BROS. AND DOWNS, of Auckland, in the Dominion of New Zealand, Seed-merchants.

No. of class: 46.

Description of goods: Seeds.

No. of application: 10460.

Date: 29th May, 1912.

TRADE MARK.

The word

CELMO.

NAME.

CELMO COMPANY, of 1 Carlton Street, London, England, Manufacturers.

No. of class: 3.

Description of goods: Chemical substances prepared for use in medicine and pharmacy.

No. of application: 10464.

Date: 29th May, 1912.

TRADE MARK.

The word

DOXA.

NAME.

GODAT AND CO., of La Chaux-de-Fonds, Switzerland, Manufacturers.

No. of class: 10.

Description of goods: Watches and clocks.

No. of application: 10466.

Date: 29th May, 1912.

TRADE MARK.

The word

VELMA.

NAME.

J. B. GILBERD AND SONS, LIMITED, of Wanganui, in the Dominion of New Zealand, Soap-makers.

No. of class: 47.

Description of goods: Common soaps.

No. of application: 10469.

Date: 30th May, 1912.

TRADE MARK.



The essential particulars of this trade mark are the combination of devices and the word "Seal"; and any right to the exclusive use of the added matter is disclaimed.

NAME.

W. H. SMITH AND SON, of 186 Strand, London, England, Printers and News Agents.

No. of class: 39.

Description of goods: Fountain pens and stylographic pens.

No. of application : 10471.  
Date : 31st May, 1912.

TRADE MARK.



**TOOTAL'S**

NAME.

TOOTAL BROADHURST LEE COMPANY, LIMITED, of 56 Oxford Street, Manchester, England, Manufacturers and Merchants.

No. of class : 24.  
Description of goods : Cotton piece-goods.

No. of application : 10475.  
Date : 1st June, 1912

TRADE MARK.

The word

**PETRIFAX.**

NAME.

BLUNDELL SPENCE AND Co., LIMITED, of 9 Upper Thames Street, London E.C., England, Manufacturers.

No. of class : 1.  
Description of goods : Chemical substances used in manufactures, photography, or philosophical research, and anti-corrosives.

No. of application : 10477.  
Date : 4th June, 1912.

TRADE MARK.

The word

**GLYSTRONA.**

NAME.

ARTHUR SHACKLETON AND Co., of Mount Street Mills, Leeds Road, Bradford, Yorkshire, England, Manufacturers.

No. of class : 34.  
Description of goods : Cloths and stuffs of wool, worsted, or hair.

No. of application : 10478.  
Date : 4th June, 1912.

TRADE MARK.



**JOHN BULL.**

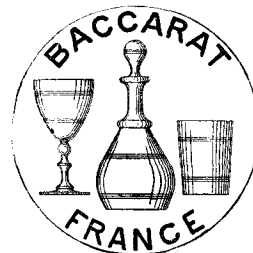
NAME.

THE LEICESTER RUBBER COMPANY, of Granby Rubber Works, Post-office Place, Leicester, England, Indiarubber-manufacturers.

No. of class : 40.  
Description of goods : Tires and rubber goods generally included in this class.

No. of application : 10480.  
Date : 4th June, 1912.

TRADE MARK.



The applicants claim that the said trade mark has been used by them in respect of the articles mentioned for thirty years prior to the 1st January, 1890.

NAME.

COMPAGNIE DES CRISTALLERIES DE BACCARAT, a corporation duly organized under the laws of France, and located in the City of Baccarat, Département de Meurthe et Moselle, Republic of France, Crystalware and Glassware Manufacturers.

No. of class : 15.

Description of goods : Crystalware and glassware, white or coloured, transparent, translucent, and opaque, plain or ornamental.

J. C. LEWIS,  
Registrar.

**Trade Mark Registration cancelled.**

THE entry on the Register in respect of the following trade mark has been cancelled :—

No. 8489/6763.—Delacour Bros., Limited. (Application and registration advertised respectively in Supplements to *New Zealand Gazette*, No. 14, of the 10th February, 1910, and No. 41, of the 5th May, 1910.)

**Trade Marks registered.**

LIST of Trade Marks registered from the 24th May to the 6th June, 1912, inclusive :—

- No. 8140/9898.—E. F. Hume. Class 38. (*Gazette* No. 75, of the 21st September, 1911.)
- No. 8141/9410.—H. T. Batson and Co. Class 38. (*Gazette* No. 23, of the 7th March.)
- No. 8142/10236.—Manson and Barr. Class 7. (*Gazette* No. 23, of the 7th March.)
- No. 8143/10254.—Peninsular Chemical Company. Class 3. (*Gazette* No. 27, of the 21st March.)
- No. 8144/10185.—Vereinigte Carborundum und Elektrizitätswerke Akt. Ges. Class 50. (*Gazette* No. 6, of the 25th January.)
- No. 8145/10189.—J. Partington. Class 42. (*Gazette* No. 18, of the 22nd February.)
- Nos. 8146/10257, 8147/10258, 8148/10260, and 8149/10261.—Miller, Midlane, and Co. Classes 24, 27, 31, and 34. (*Gazette* No. 27, of the 21st March.)
- No. 8150/10262.—W. J. Millar. Class 3. (*Gazette* No. 27, of the 21st March.)
- No. 8151/10290.—Ozonair Limited. Class 6. (*Gazette* No. 27, of the 21st March.)
- No. 8152/10292.—W. Massey. Class 13. (*Gazette* No. 27, of the 21st March.)
- No. 8153/10291.—Nugget Polish Company of New Zealand, Limited. Class 40. (*Gazette* No. 27, of the 21st March.)
- No. 8154/10125.—Wilson's Portland Cement Company, Limited. Class 17. (*Gazette* No. 23, of the 7th March.)

**Subsequent Proprietors of Trade Marks registered.**

[NOTE.—The name of the former proprietor is given in parentheses ; the date is that of registration.]

No. 3541/2765.—The British Portland Cement Manufacturers, Limited, of Alderman's House, Bishopsgate, London, England, cement-manufacturers. (The West Kent Portland Cement Company, Limited.) 7th June, 1912.

Nos. 6531/5254 and 6532/5255.—Peter, Cailler, Kohler, Chocolats Suisses, Société Anonyme, of Vevey, Switzerland, Chocolate manufacturers. (Société Anonyme des Chocolats au Lait, F. L. Cailler.) 7th June, 1912.

Nos. 6547/5972 and 8439/6717.—Welch Margetson and Co., Limited, of 16 Moor Lane, London E.C., England, Manufacturers and Merchants. (Welch Margetson and Co.) 29th May, 1912.

Nos. 7251/5702 and 7252/5703.—Léon, Etienne, Louis Darrasse, Société le Ferment, of 13 Rue Pavée, Paris, France, Chemists. (La Société Anonyme le Ferment.) 7th June, 1912.

#### Trade Mark Renewal Fees paid.

**F**EEES paid for the renewal of the undermentioned Trade Marks for fourteen years from the date first mentioned:—

Nos. 2372/1893 and 2373/1914.—30th May, 1912.—Bernard and Co., Leith, Scotland. 29th May, 1912.

No. 2380/1903.—2nd June, 1912.—J. Bartram and Son, Melbourne, Vic. 29th May, 1912.

No. 2404/1905.—25th June, 1912.—The Gaslight and Coke Company, London, Eng. 30th May, 1912.

No. 2429/1938.—4th August, 1912.—J. C. Chaytor, Blenheim, N.Z. 5th June, 1912.

No. 2441/2062.—17th August, 1912.—H. E. Partridge, Auckland, N.Z. (W. T. Trudgeon—H. E. Partridge and J. J. Odum.) 7th June, 1912.

Nos. 2555/2013 and 2556/2014.—15th December, 1912.—T. F. Firth and Sons, Limited, Brighouse, Eng. 4th June, 1912.

#### Trade Marks removed from the Register.

**T**RADe Marks removed from the Register owing to the non-payment of the renewal fees, from the 24th May to the 6th June, 1912, inclusive:—

No. 2270/1851.—24th February, 1898.—Sharland and Co., Limited, Auckland, N.Z. Class 3.

Nos. 2274/1826 and 2276/1827.—26th February, 1898.—Alaska Packers Association, San Francisco, U.S.A. Class 42.

#### Application for Trade Mark withdrawn.

**T**HE following application for Trade Mark has been withdrawn:—

No. 10243.—Beath and Co., Limited. (Advertised in Supplement to *New Zealand Gazette*, No. 27, of the 21st March, 1912.)

#### Applications for Trade Marks abandoned or refused.

**L**IST of applications for registration of Trade Marks abandoned or refused from the 1st May to the 6th June, 1912, inclusive:—

No. 8876.—14th July, 1910.—Reckitts (Oversea) Limited, of Wellington, N.Z. Class 50.

No. 9208.—6th December, 1910.—Alaska Packers Association, of San Francisco, U.S.A. Class 42.

No. 9305.—13th January, 1911.—Compagnie Parisienne de Couleurs d'Aniline (Société Anonyme), of Paris, France. Class 3.

No. 9311.—17th January, 1911.—Fritz Schulz jun. Aktiengesellschaft, of Leipzig, Germany. Class 50.

No. 9313.—18th January, 1911.—Holophane Limited, of London, Eng. Class 13.

No. 9314.—18th January, 1911.—Holophane Limited, of London, Eng. Class 15.

No. 9315.—18th January, 1911.—Holophane Limited, of London, Eng. Class 16.

No. 9333.—24th January, 1911.—John Knight Limited, of London, Eng. Class 47.

No. 9431.—3rd March, 1911.—R. Garroway, of Auckland, N.Z. Class 42.

No. 9491.—22nd March, 1911.—C. L. Innes and Co., Limited, of Hamilton, N.Z. Class 43.

No. 9492.—22nd March, 1911.—C. L. Innes and Co., Limited, of Hamilton, N.Z. Class 44.

No. 9562.—13th April, 1911.—H. O. Wiles, of Auckland, N.Z. Class 2.

No. 9566.—19th April, 1911.—Caselberg and Co., of Wellington, N.Z. Class 47.

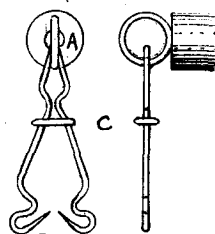
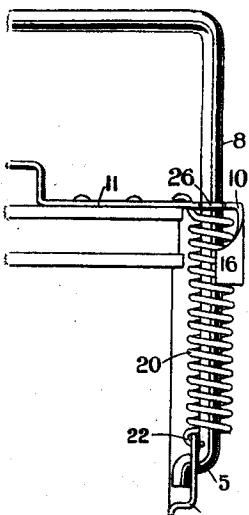
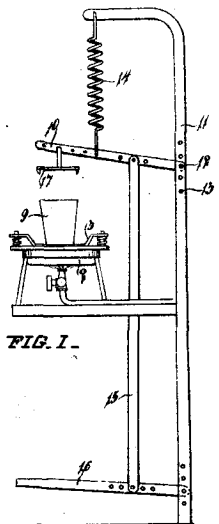
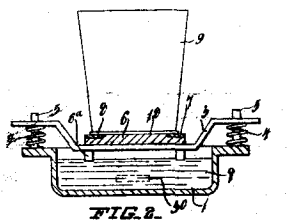
No. 9577.—27th April, 1911.—A. C. T. Winkelmann (The Victis Manufacturing and Packing Proprietary), of Auckland, N.Z. Class 3.

No. 9597.—27th April, 1911.—M. Squire, of Fairview, N.Z. Class 9.

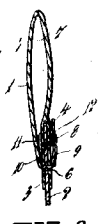
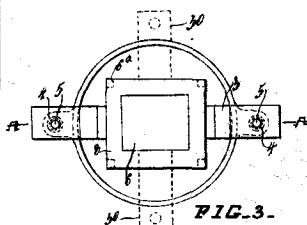
No. 10116.—12th December, 1911.—H. McAdam (The Liverette Company), of Johannesburg, Union of South Africa. Class 3.

# ILLUSTRATIONS OF INVENTIONS.

[These illustrations refer to the complete specifications accepted, and advertised in this Gazette.]



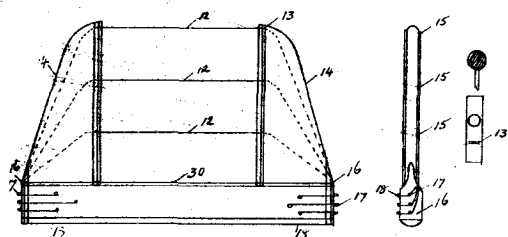
Bag etc carrier.  
Morgan & Bennet. 31138.



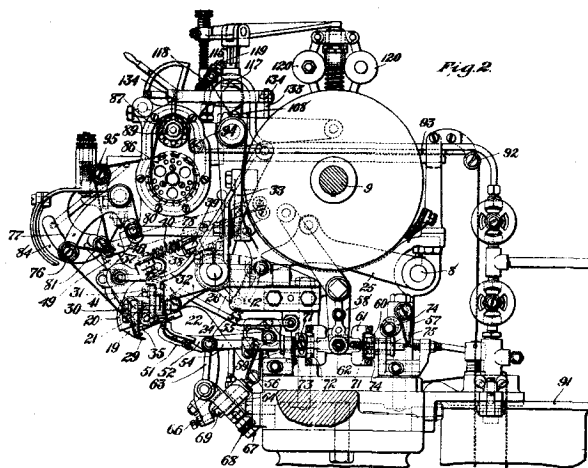
Label. Williams. 31185

Can soldering. Caldwell, Langdon & Parkin. 30027.

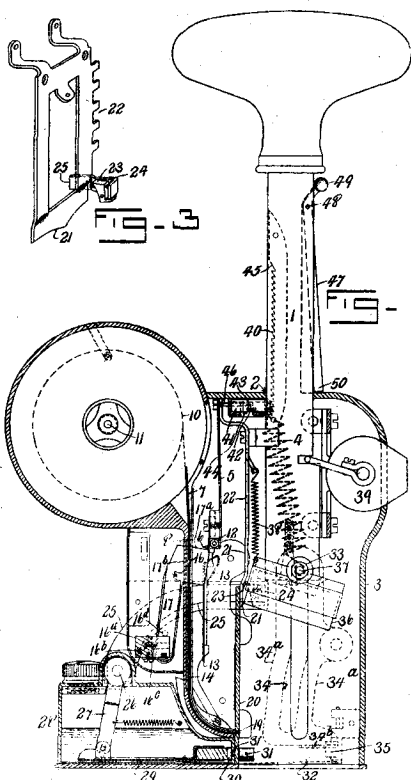
Lid. Lyall. 29738.



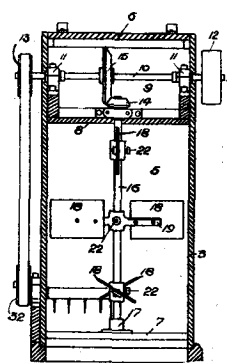
Butter-pat cutter. Thompson. 29765.



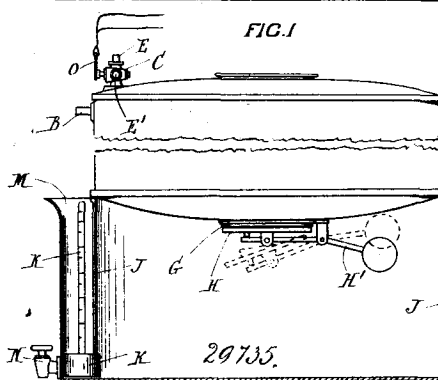
Sewing machine. United Sinc Machinery Co. (Meyer) 29983



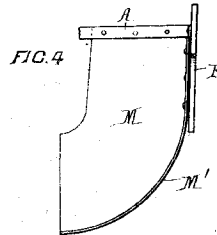
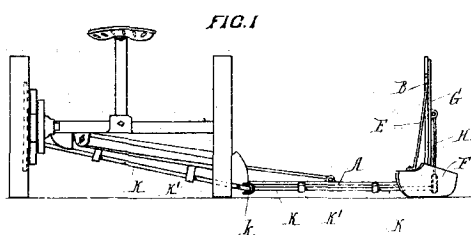
Postage stamp affixing machine.  
Bullock & International Stamping  
Machine Co. 31228.



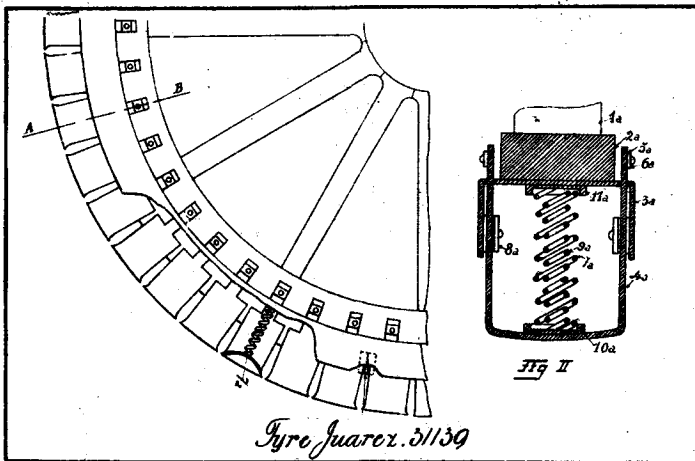
Capoe scutcher. Hinds.  
(Wilson) 29957.



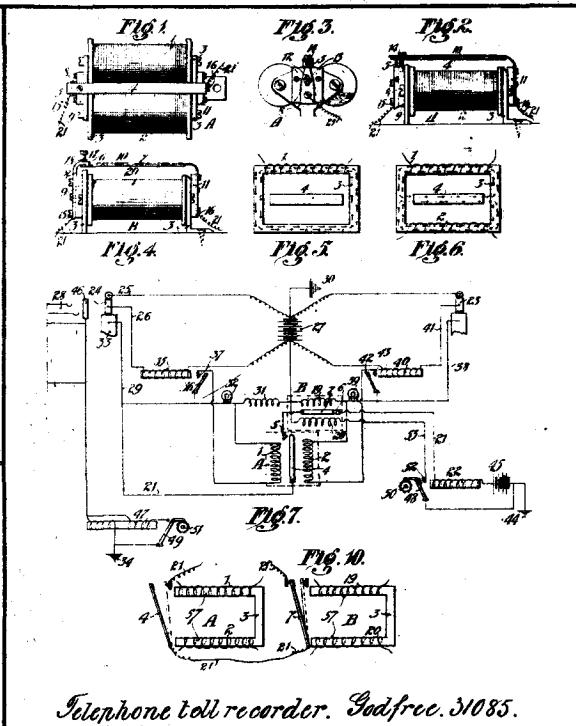
Milk release. Whittaker & McKenzie.



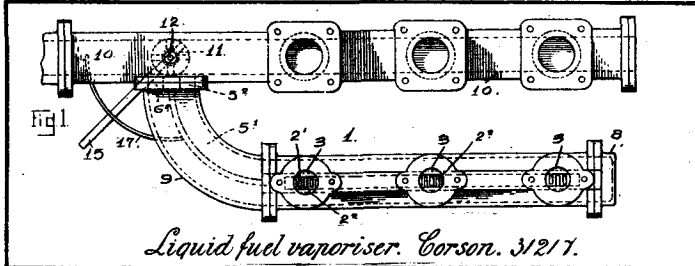
Reaping machine. Fowler. 29885.



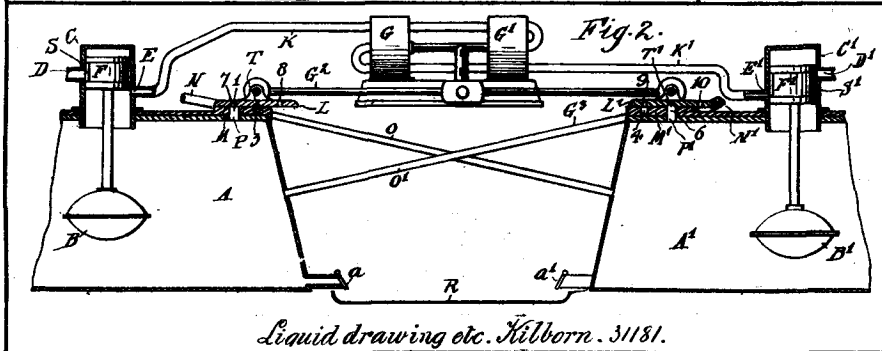
*Tyre Juarez. 31139*



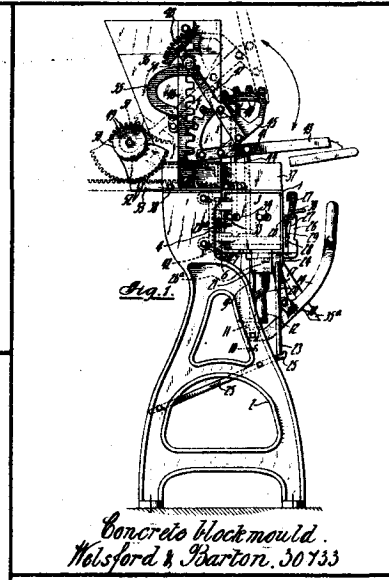
*Telephone toll recorder. Godfree. 31085.*



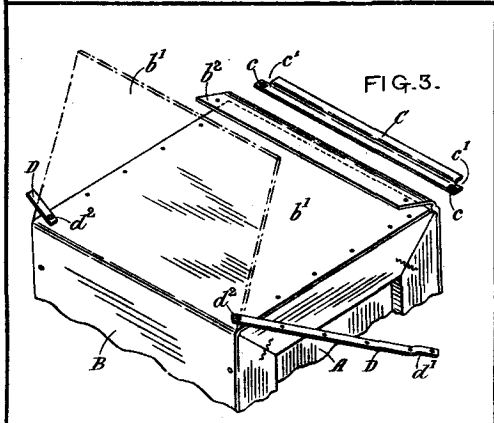
*Liquid fuel vaporiser. Corson. 31217.*



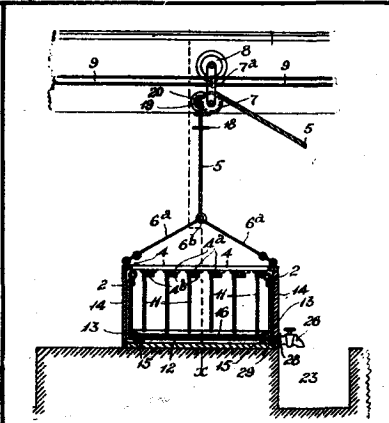
*Liquid drawing etc. Hålbörn. 31181.*



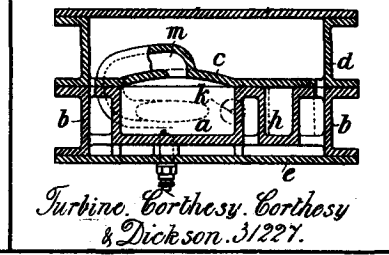
*Concrete block mould. Hålsford & Barton. 30733*



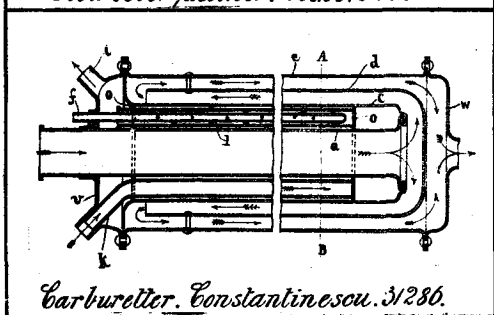
*Box cover fastener. Fiske. 31198*



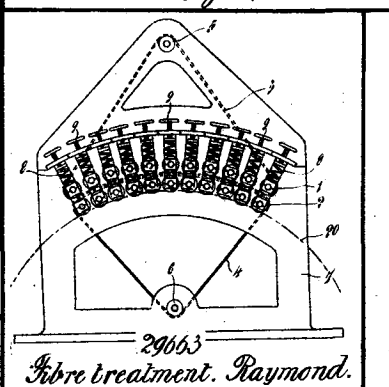
*Gold etc recovery. Jacquier. 31176.*



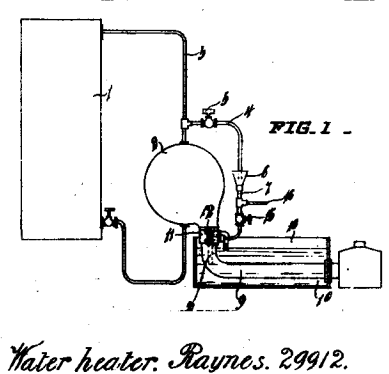
*Turbine. Corthosy. Corthosy & Dickson. 31227.*



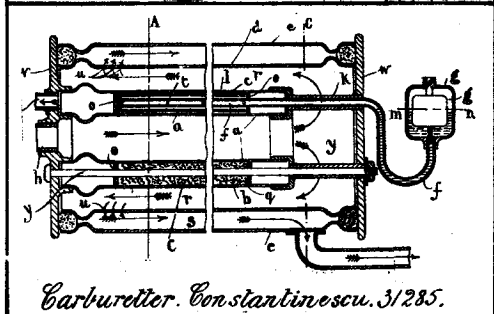
*Carburettor. Constantinescu. 31286.*



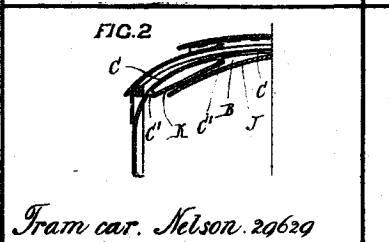
*Fibre treatment. Raymond. 29663*



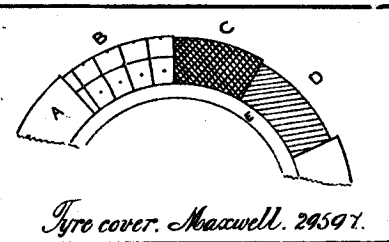
*Water heater. Raynes. 29912.*



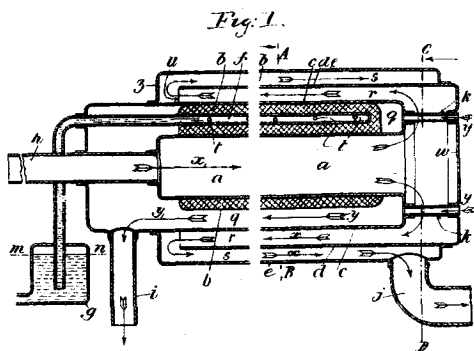
*Carburettor. Constantinescu. 31285.*



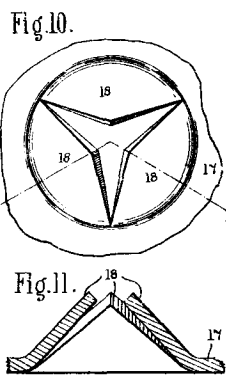
*Tram car. Nelson. 29629*



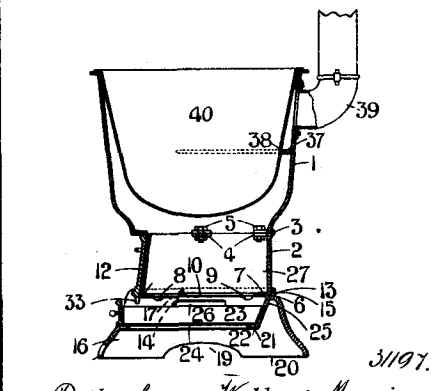
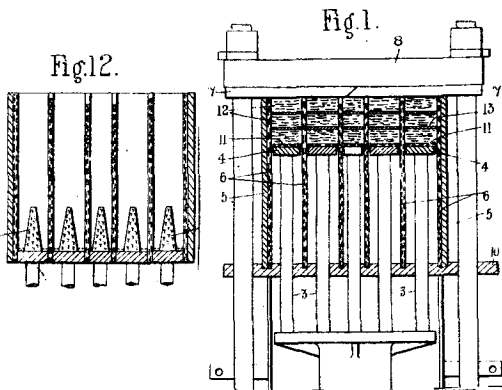
*Tyre cover. Maxwell. 29597.*



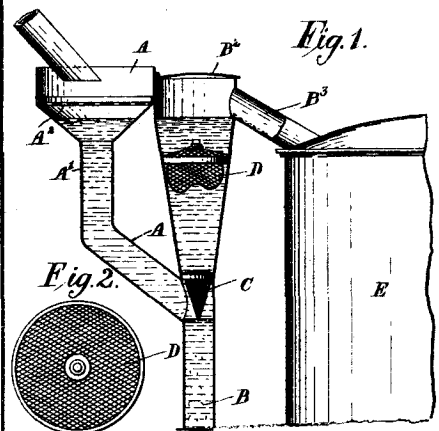
Carburettor. Constantinescu. 31284.



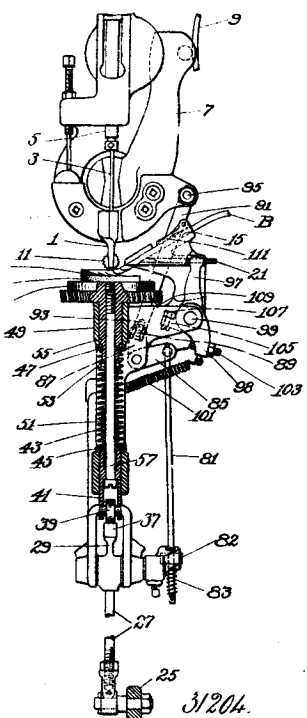
Liquids expressing. Franke. 31263.



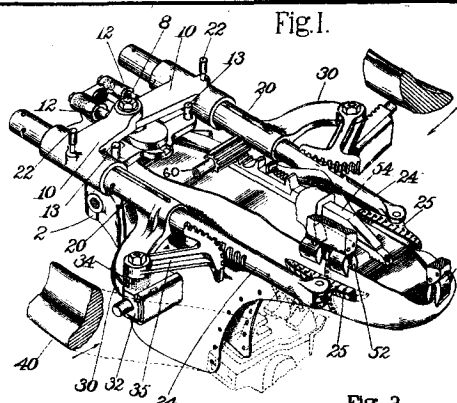
Boiler frame. Walker & Marriage. 31197.



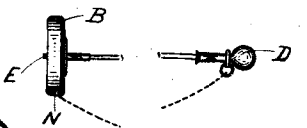
Filter. Osborn, & Mc. Cauley. 31184.



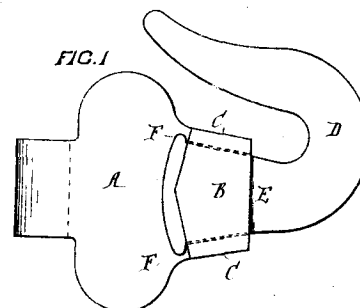
Welt securing machine  
United Shoe Machinery  
Coy. (Gouldbourn & Ballam). 31204.



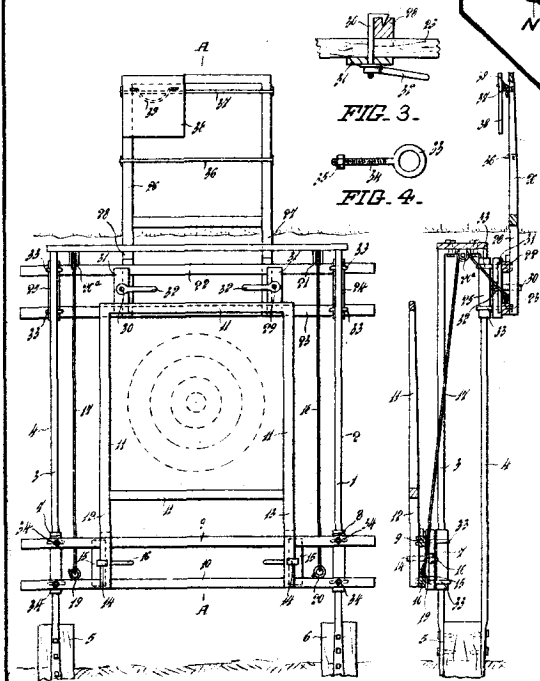
Pulling over machine.  
United Shoe Machinery Co.  
(Ashton, Galloway & Ferri) 31205.



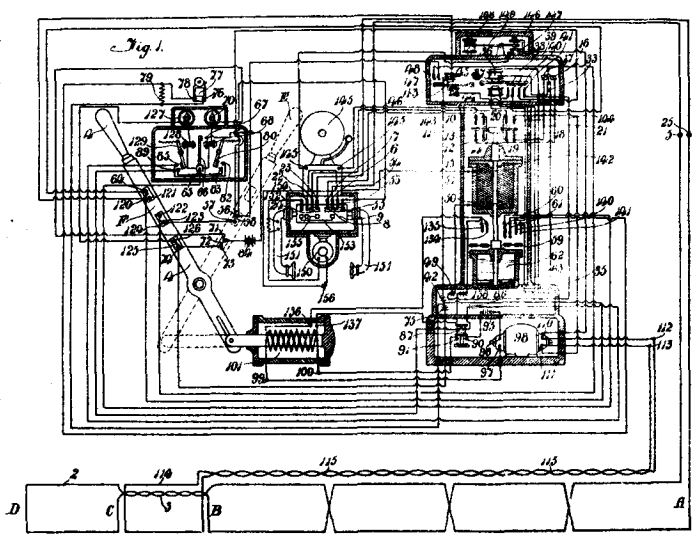
Hat pin point holder  
Panon. 30052.



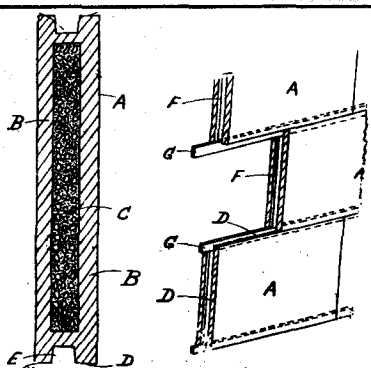
Flame hook. Vorbach. 31213.



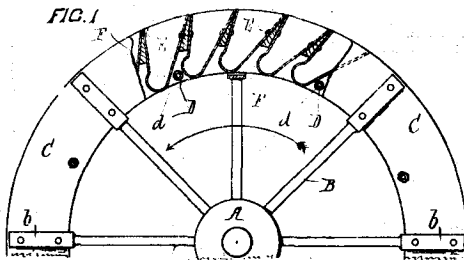
Target. Dicknell. 30050.



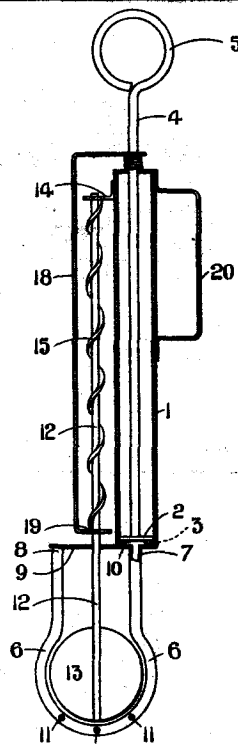
Railway traffic control. von Kramer. 31265.



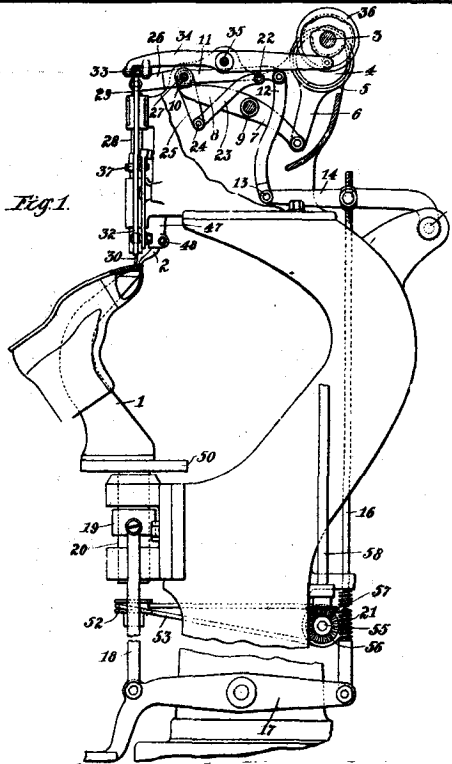
Fireproof partition. Ohms. 31236.



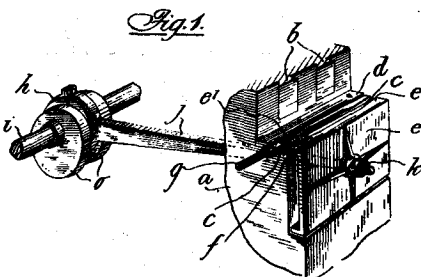
Water wheel. Cantolin. 29952.



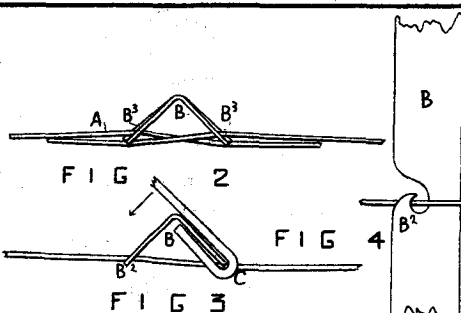
Egg beater. McMinlay (McMinlay) 31282.



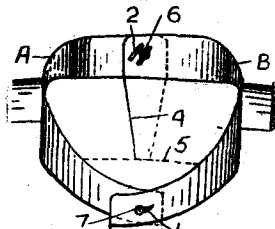
Sewing machine. United Shoe Machinery Co (Bates) 29984.



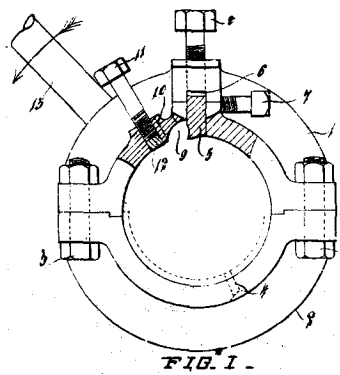
Horse shoe machine. Fry. 30288



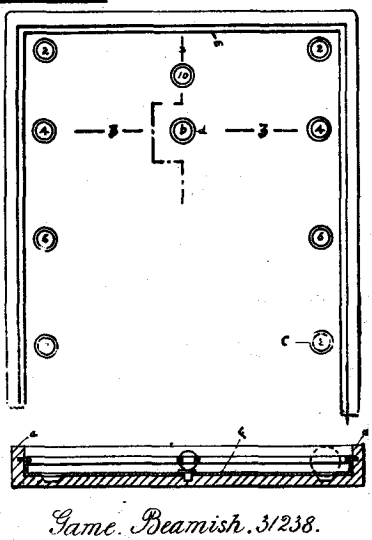
Fence dropper. Dall. 30244.



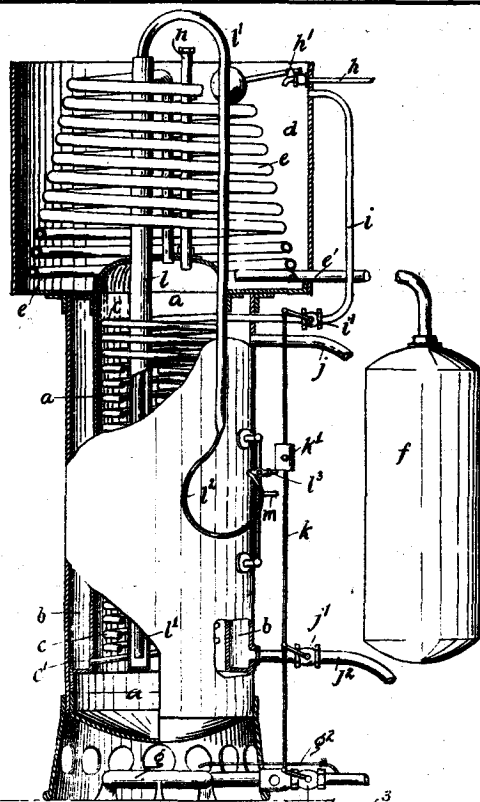
Neck band. Poultry. 31206.



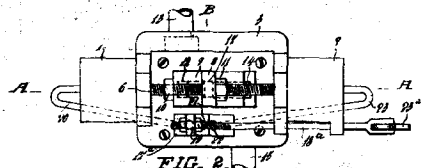
Crank pin turning. Marchant. 29978.



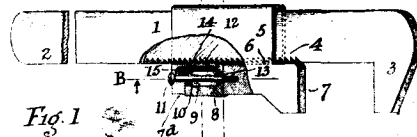
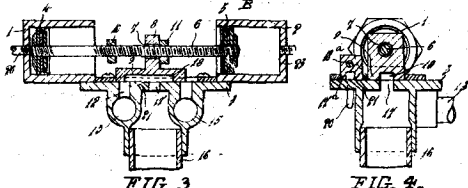
Beam. Beamish. 31238.



Refrigerator. Bennet. 31255.



Vacuum pump & pulsator. Sparkness. 31064.



Wrench. Passford. 31031.